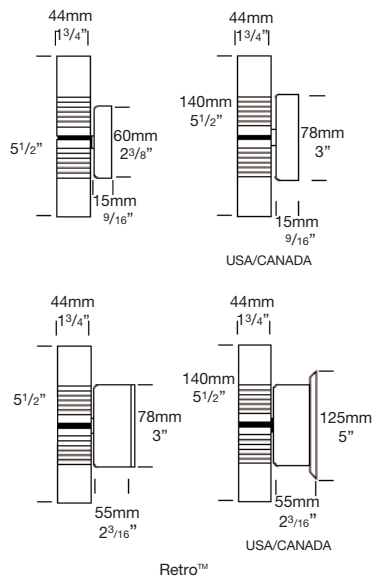


# Euro Pillar PURE LED

Cat. No. EPIL/L



PURE LED  
Pure Performance



The Euro Pillar Pure LED illuminates both upwards and downwards giving columns, gateways, pillars and entrances a dramatic effect.

This luminaire is machined from a choice of natural copper or solid 316 stainless steel. It features an extra clear, low iron tempered flush lens and high temperature silicon gaskets.

The Hunza PURE LED system uses Cree MTG-2 chips for maximum performance and long life. Power supply options include a choice of integral 12 or 120/240 volt (Retro) drivers. There is also an external remote (series connection) driver option. The PURE LED system incorporates Hunza's innovative Plug-and-Play system for easy replacement of the driver or LED engine. Four beam angles, and a choice of a Warm or Cool White colour temperatures are available.

\* At 350mA this fitting is the equivalent of a 25w halogen fitting.

\* At 700mA this fitting is the equivalent of a 35w halogen fitting.

## Ordering Information

Luminaire	Driver mA	Beam Angle	Colour Temp	Accessories	Material/Finish
EPIL/L	S - Series	15 - 15° TIR Lens	2 - 2700K	CJK150 - Cable Joint Kit	COP - Copper
	D3 - 12v/350mA	25 - 25° TIR Lens	3 - 3000K	EURF - Frosted Lens	SS - Stainless Steel
	D7 - 12v/700mA	38 - 38° TIR Lens	4 - 4000K	WBAP - Wall Box Adaptor	
	R - 110 or 240v Retro	60 - 60° TIR Lens	39 - 3000K (90+ CRI)		

Ordering Example: EPIL/L S 15 3 GG SS

**HUNZA**<sup>TM</sup> PURE  
OUTDOOR  
LIGHTING

HUNZA FACTORY  
130 Felton Mathew Ave  
Saint Johns  
Auckland 1072  
New Zealand

Ph: 64-9-528 9471  
Fax: 64-9-528 9361  
hunza@hunza.co.nz  
www.hunza.co.nz

INTERNATIONAL CONTACTS:  
www.hunza.co.nz/contacts.php

Specifications may change without notice.  
Manufactured in New Zealand.  
© 2014 Hunza Holdings Ltd.

## Luminaire Construction

**CNC machined from one of the following metals:**

### Copper

Body: 45.4mm (1¾") copper rod.  
Base: Copper handspun 2mm (1/8").

### Stainless

Body: 45.4mm (1¾") 316 stainless steel rod  
Base: Investment cast and CNC machined.

### Luminaire Weight

12 volt Cop .660kg (1lb 7oz)  
SS .710kg (1lb 9oz)

Retro™ Cop 1.175kg (2lb 9oz)  
SS 1.245kg (2lb 11oz)

## Features

### Lens:

6mm (3/8") extra clear low iron flush fit shatter resistant glass.  
Lifetime Warranty.

### Gasket:

Silicone, iron impregnated 220°C (428°F)

### Accessories:

Cable Joint Kit (Cat. CJK150)  
Frosted Lens (Cat.EURF)  
Wall Box Adaptor (Cat. WBAP)

### Mounting

The luminaire is mounted to the wall using two 316 stainless screws through a shallow base 16mm (5/8") in depth. A Wall Box Adaptor Plate is available as an accessory to fit 3.0 and 4.0 Junction boxes for USA /Canada.

*Retro™ luminaire* (110/240volt): A mounting plate is fixed to the wall using two screws and the

## Technical Information

### Standards

AS/NZS 61046  
IP56/IP66 UL 1838

### LED (per head)

Cree MTG-2 Plug and Play, field replaceable PCB boards  
**Lumen Output:** 340 at 700mA  
**Lumens Per Watt:** 85 minimum  
**CRI Warm White (3000K):** 85+  
**Colour Temp:** 2700K, 3000K and 4000K  
High CRI Option (3000K): 90+ (lumen output decreases by 15%)

### Power Supply

### External (Series) Driver (per head)

Constant current driver  
Output: 6vdc at 700mA maximum

### Integral 12 Volt Driver

Hunza™ Plug and Play Driver Input: 12vac, 5watt total  
Output: 6vdc nominal, 350 / 700mA

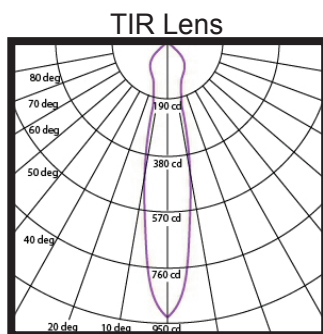
### Transformer

Hunza™ Wall Mount Transformer for use with integral 12v driver

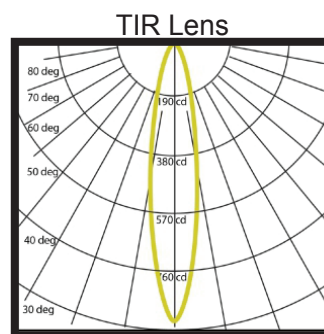
### Retro 110/240 Volt Driver

Hunza™ Retro Driver  
Input: 120/240vac, 5watt total  
Output: 6vdc, 700mA  
0-10 volt dimming  
(USA - non dimming)

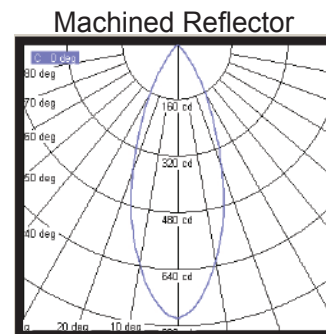
## Reflector Beam Angles



15° Angle  
3000 K



25° Angle  
3000 K



38° Angle  
3000 K