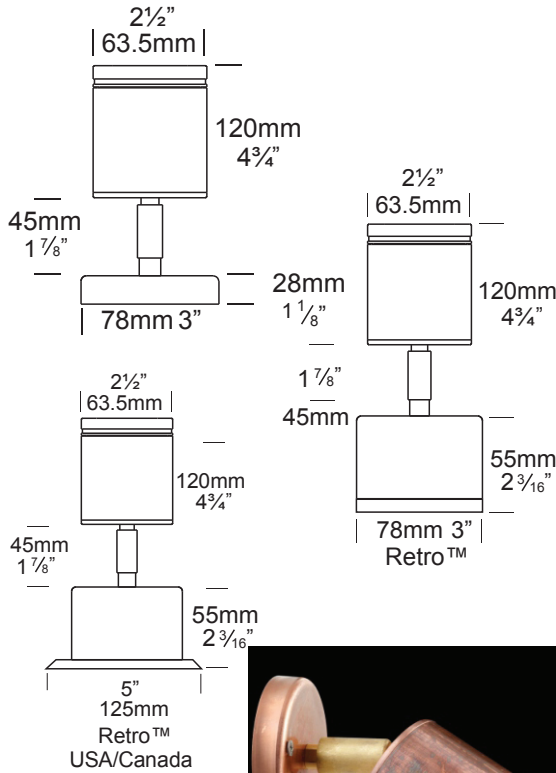


Wall Spot PURE LED

Cat. No. WS/L



PURE LED
Pure Performance

The Wall Spot Pure LED has been designed to be mounted on walls and provide directional light for pathways and structural elements of a building. This luminaire has a fully adjustable head allowing 360 degree rotation and 0 - 90 degree elevation.

This luminaire is machined from a choice of 10mm solid aluminium with a UV stable powder coated finish, solid copper or 316 stainless steel with a clear, tempered, flush glass lens and high temperature silicon gaskets.

The Hunza PURE LED system uses Cree MTG-2 chips for maximum performance and long life. Power supply options include a choice of integral 12 or 110/240 volt (Retro) drivers. There is also an external remote (series connection) driver option. The PURE LED system incorporates Hunza's Plug-and-Play system for easy replacement of either the LED engine or integral driver in the field. Four beam angles, and a choice of a Warm or Cool White colour temperatures are available.

*At 700mA this fitting is the equivalent of a 35w halogen fitting.

*At 1050mA this fitting is the equivalent of a 50w halogen fitting.

Ordering Information

Luminaire	Driver mA	Beam Angle	Colour Temp	Accessories	Material/Finish
WS/L	S - Series D7 - 12v 700mA D10 - 12v 1050mA R - 240v Retro RU - 110v Retro	15 - 15° TIR Lens 25 - 25° TIR Lens 38 - 38° TIR Lens 60 - 60° TIR Lens	2 - 2700K 3 - 3000K 4 - 4000K 39 - 3000K (90+ CRI)	CJK150 - Cable Joint Kit STEPF - Frosted Lens GG - Glare Guard HCL - Hex Cell Louvre WBAP - Wall Box Adaptor	BK - Black BZ - Bronze GRN - Green STAR - Silver Star WH - White WB - White Birch DG - Dark Grey OG - Olive Green RG - Beige PR - Primrose COP - Copper SS - 316 Stainless

Ordering Example: WS/L S 15 3 CJK150 BK

HUNZA™ PURE
OUTDOOR
LIGHTING

HUNZA FACTORY
130 Felton Mathew Ave
Saint Johns
Auckland 1072
New Zealand

Ph: 64-9-528 9471
Fax: 64-9-528 9361
hunza@hunza.co.nz
www.hunza.co.nz

INTERNATIONAL CONTACTS:
www.hunza.co.nz/contacts.php

Specifications may change without notice.
Manufactured in New Zealand.
© 2014 Hunza Holdings Ltd.

Luminaire Construction

CNC machined from the following metal:

Body: High corrosion resistant low copper 63.5mm (2½") x 10mm (25/64") aluminium.

End cap: solid aluminium 63.5mm (2½") rod.

Base & Mounting Plate (Retro™): Cast from virgin high corrosion resistant CC401 low copper aluminium alloy chromate substrate and high UV resistant polyester powder coat - Black, Bronze, Green, Silver Star, White, Birch, Dark Grey, Olive Green, Beige, Primrose.

Body: Copper 63.5mm (2½") x 10mm (25/64). End cap - solid copper 63.5mm (2½") rod.

Base: Copper Hand spun 2mm (5/64").

Mounting Plate: Forged brass (Retro™).

Body: 316 Stainless Steel 63.5mm (2½") x 10mm (25/64) rod. End cap - 316 stainless steel 63.5mm (2½") rod.

Base: Investment cast and CNC machined. Mounting Plate: Investment cast and CNC machined (Retro™).

Luminaire Weight

12 volt Alum .495kg (1lb 1oz)
Cop 1.300kg (2lb 13oz)
SS 1.080kg (2lb 6oz)

Retro™ Alum .900kg (1lb 15oz)
Cop 1.710kg (3lb 12oz)
SS 1.500kg (3lb 4oz)

Features

Lens:

10mm (3/8") extra clear low iron flush fit shatter resistant glass. Lifetime Warranty.

Gasket: Silicone, iron impregnated 220°C (428°F)

Accessories:

Cable Joint Kit (Cat CJK150)
Frosted Lens (Cat. LENSSTEPF)
Glare Guard (Cat. GG)
Hex Cell Louvre Adaptor (Cat. HCL)
Wall Box Adaptor (Cat. WBAP)

Swivel:

Aluminium and Copper luminaires: 360° rotation and 0 - 90° elevation, solid brass with anti rust spring.

Stainless Steel luminaires - 360° rotation and 0 - 90° elevation, all stainless steel construction.

Mounting

12 volt: the luminaire is mounted to the wall using two 316 stainless screws through a shallow base 16mm (5/8") in depth. A Wall Box Adaptor Plate is available as an accessory to fit 3.0 and 4.0 Junction boxes for USA/Canada.

Retro™ luminaire (110/240-12volt): a mounting plate is fixed to the wall using two screws and the luminaire is fitted to the mounting plate.

Technical Information

Standards

AS/NZS61046
IP66 UL1838

LED

Cree MTG-2 Plug and Play, field replaceable LED board.

Lumen Output: 600 at 1050mA

Lumens Per watt: 85 minimum

CRI Warm White (3000k): 85+

Colour Temp: 2700K, 3000K and 4000K

High CRI Option (3000K): 90+ (lumen output decreases by 15%)

Power Supply

Series (External) Driver

Constant current driver

Output: 6vdc at 1050mA maximum

Integral 12 Volt Driver

Hunza™ Plug and Play Driver

Input: 12vac, 7 watt total

Output: 6vdc nominal, 350 / 700 /

1050mA (1050mA limited ≤ 40°

Ambient temperature in Stainless Steel)

Transformer

Hunza™ Wall Mount Transformer for use with integral 12 volt driver

Retro 110/240 Volt Driver

Hunza™ Retro Driver

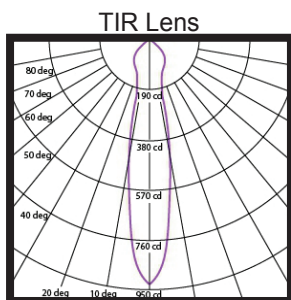
Input: 120/240vac, 5 watt total

Output: 6vdc, 700mA

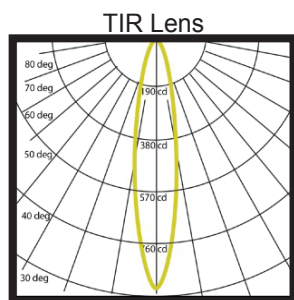
0-10 volt dimming

(USA - non dimming)

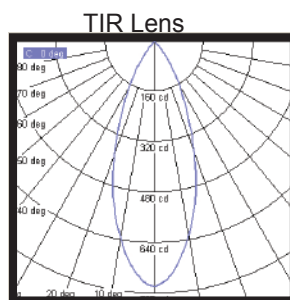
Beam Angles



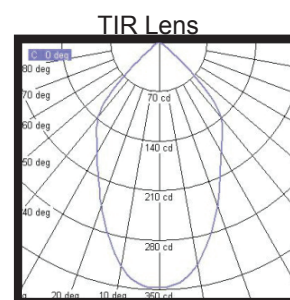
15° Angle
3000 K



25° Angle
3000 K



38° Angle
3000 K



60° Angle
3000 K

HUNZA™ PURE
OUTDOOR
LIGHTING

HUNZA FACTORY
130 Felton Mathew Ave
Saint Johns
Auckland 1072
New Zealand

Ph: 64-9-528 9471
Fax: 64-9-528 9361
hunza@hunza.co.nz
www.hunza.co.nz

INTERNATIONAL CONTACTS:
www.hunza.co.nz/contacts.php

Specifications may change without notice.
Manufactured in New Zealand.
© 2014 Hunza Holdings Ltd.