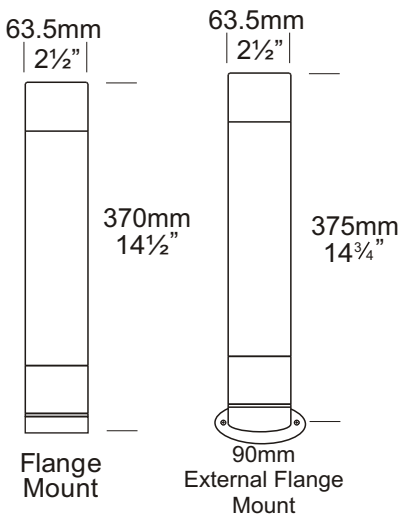
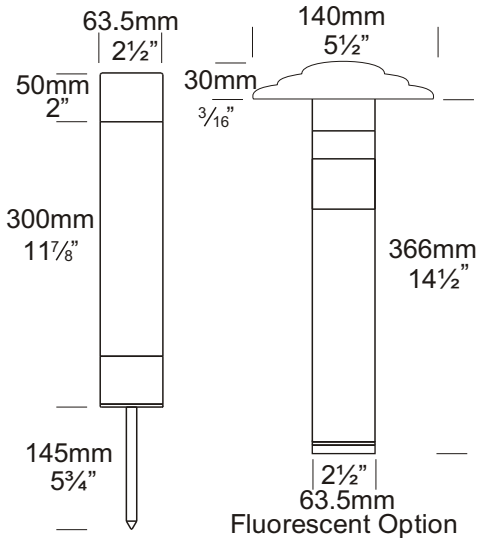


# Bollard 300

Cat. No. BOL300  
 Cat. No. BOL300FL  
 Cat. No. BOL300FM  
 Cat. No. BOL300FM90  
 Cat. No. BOL300GU



The Bollard 300 is ideal for garden edges. The acrylic lens reflects light at two angles through an anti-glare mesh directly onto the ground and horizontally to illuminate the surrounding landscape.

Constructed of tubular aluminium with a UV stable powder coated finish or machined from solid copper or 316 stainless steel.

A 110/240 volt fluorescent option is available which offers excellent light output, low energy usage and very low heat generation, this changes the luminaire to an IP66 rating.

A GU10 version of this luminaire is also available for line voltage lamps.

## Ordering Information

Luminaire Type	Material/Finish	Accessories
BOL300 - Bollard	BK - Black BZ - Bronze GN - Green STAR - Silver Star WH - White WB - Birch DG - Dark Grey OG - Olive Green RG - Beige PR - Primrose COP - Copper SS - 316 Stainless Steel	CJK150 - Cable Joint Kit FL - Fluorescent Option GU - GU10 Option LENSBOLOP - Opaque Lens HOOD140 - Anti Glare Hood /300 - 300mm (12") Spike  For <b>LED</b> options, refer to page 10.4.1 (G4 JC LED), 10.4.6 (Wafer LED) or <a href="http://hunza.co.nz/l.html">http://hunza.co.nz/l.html</a>

Ordering Example: BOL300 BK - Bollard 300 in Black  
 BOL300FL SS - Bollard 300 with Fluorescent Option in 316 Stainless Steel  
 BOL300FM BK - Bollard 300 with 63.5mm Flange Mount in Black  
 BOL300FM90 COP - Bollard 300 with 90mm External Flange Mount in Copper  
 BOL300GU COP - Bollard 300 GU10 in Copper  
 HOOD140 BZ - Anti Glare Hood in Bronze  
 (Accessories ordered separately)

**HUNZA**™ PURE OUTDOOR LIGHTING

**HUNZA FACTORY**  
 130 Felton Mathew Ave  
 Glen Innes  
 Auckland 1072  
 New Zealand

Ph: 64-9-528 9471  
 Fax: 64-9-528 9361  
[hunza@hunza.co.nz](mailto:hunza@hunza.co.nz)  
[www.hunza.co.nz](http://www.hunza.co.nz)

**INTERNATIONAL CONTACTS:**  
[www.hunza.co.nz/contacts.php](http://www.hunza.co.nz/contacts.php)

Specifications may change without notice.  
 Manufactured in New Zealand.  
 © 2011 Hunza Holdings Ltd.

Ver 1.4

## Luminaire Construction

CNC machined from one of the following metals:

High corrosion resistant 63.5mm (2½") x 10mm (25/64") aluminium. End cap - solid aluminium 63.5mm (2½") rod, pole - 63.5mm(2½") x 3.25mm (1/8") x 240mm (9½") with chromate substrate and high UV resistant polyester powder coat.

**Colours** Black, Bronze, Green, Silver Star, White, Birch, Dark Green, Olive Green, Beige, Primrose.

**Copper** 63.5mm (2½") x 10mm (13/32"). End cap - solid copper 63.5mm (2½") rod pole - 63.5mm (2½") x 3.25mm (1/8") x 240mm (9½").

**316 Stainless Steel** 63.5mm (2½") x 9mm (11/32"). End cap - solid 316 stainless steel 63.5mm (2½") rod pole - 63.5mm (2½") x 3.25mm (1/8") x 240mm (9½").

## Mounting

Set in concrete in the ground or specify with flange mount option, which bolts to concrete, tiling or wooden decks.

## Features

### Lens:

UV stable polycarbonate with anti-glare mesh and dual reflector projects light horizontally and at 45° onto the ground.

### Gasket:

Silicone, iron impregnated 220°C (428°F).

### Lamp Holders:

GU5.3 & GU10 - 350°C (662°F) ceramic multi contact lamp holder with 250°C (480°F) teflon cables.

### Fluorescent:

E27 PET 210°C (410°F) base mount. E26 only available in the USA.

### Accessories:

Cable Joint Kit (Cat. CJK150). Not approved for USA/Canada. Anti-Glare Hood (Cat. HOOD140). Opaque Lens (Cat. LENSBOLOP). Fluorescent Option (Cat. FL). GU10 Option (Cat. GU). 300mm (12") Spike (Cat. /300).

## Standards

IP66  UL1838

## Luminaire Weight

Alum .870kg (1lb 14oz)  
Cop 2.290kg (5lb)  
SS 2.170kg (4lb 12oz)

## Power Supply

HUNZA™ Inground or Wall Mount Transformer: not included.

USA and Canada:

HUNZA™ Wall Mount Transformer: not included.

Luminaire: supplied with

MR16 GU5.3 20, 35, 50 watt lamp max.

### Fluorescent

E27 - 110/240 volt self ballasted lamp.

**GU10** - GU10 25 or 35 watt lamp max.

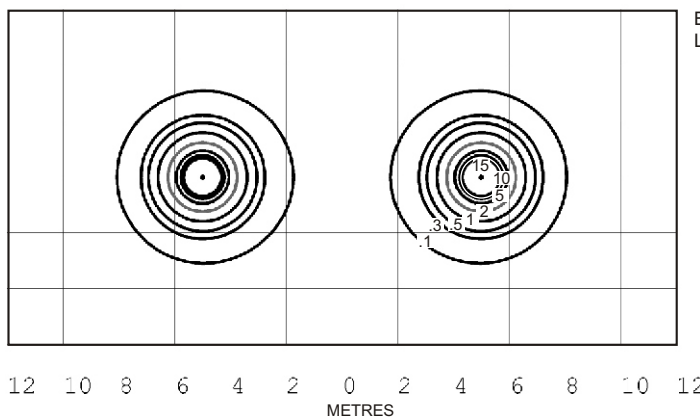
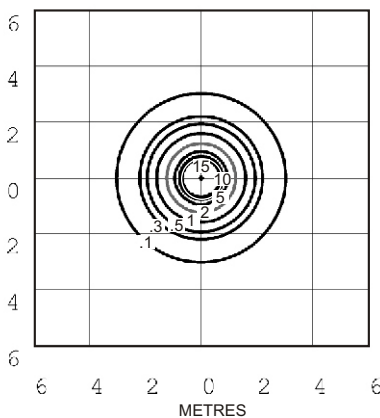
**LED** - Refer to previous page.

USA and Canada:

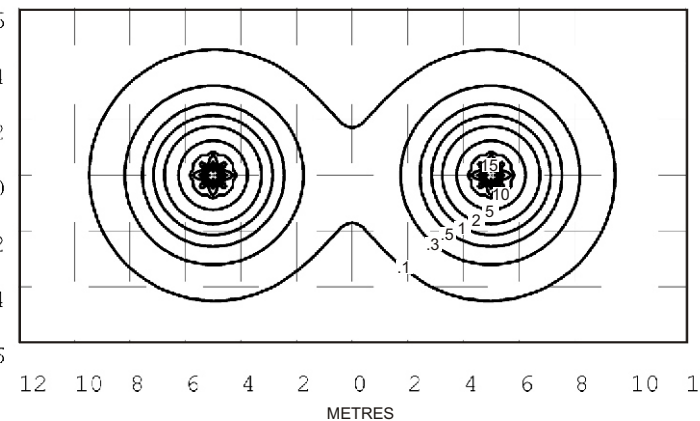
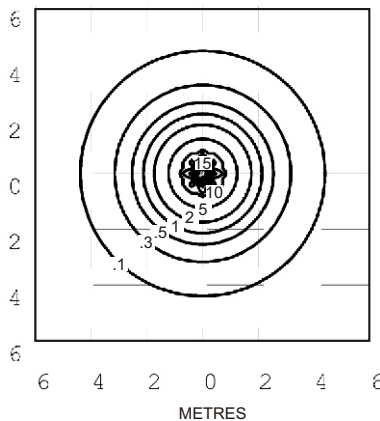
MR16 GU5.3 20, 35, 50 watt lamp max.

**GU10 Halogen** - Lamp not supplied.

**LED** - Refer to previous page.



Bollard 300 MR16 ESX 20watt lamp - Lens height 300mm (12")



Bollard 300 MR16 EXT 50watt lamp - Lens height 300mm (12")

Isolux Lumens Plot -  
Footcandles =  
Isolux figures divided by 10.76

**HUNZA**™ PURE OUTDOOR LIGHTING

**HUNZA FACTORY**  
130 Felton Mathew Ave  
Glen Innes  
Auckland 1072  
New Zealand

Ph: 64-9-528 9471  
Fax: 64-9-528 9361  
hunza@hunza.co.nz  
www.hunza.co.nz

**INTERNATIONAL CONTACTS:**  
www.hunza.co.nz/contacts.php

Specifications may change without notice.  
Manufactured in New Zealand.  
© 2011 Hunza Holdings Ltd.

Ver 1.4