

# Bollard 700

- Cat. No. BOL700
- Cat. No. BOL700FL
- Cat. No. BOL700/R
- Cat. No. BOL700FM
- Cat. No. BOL700FM90
- Cat. No. BOL700GU
- Cat. No. BOLMH20
- Cat. No. BOLMH35

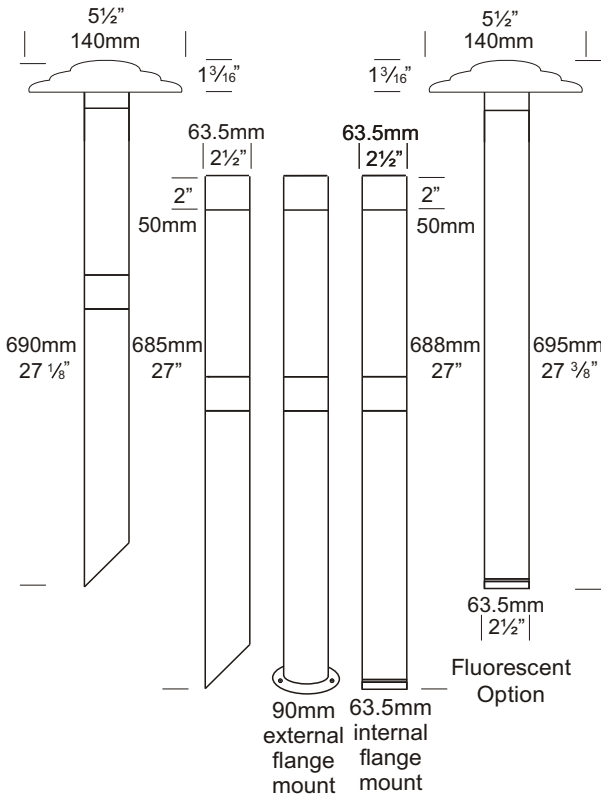


The Bollard 700 is ideal for garden edges, driveways, walkways and carparks. The acrylic lens reflects light at two angles through an anti-glare mesh directly onto the ground and horizontally to illuminate the surrounding landscape.

The Retro™, which is a mains option, avoids the need to bury a transformer. The 110/240-12 volt electronic transformer is built into the pole and is a double insulated safety isolating transformer.

A 110/240 volt fluorescent option is available which offers excellent light output, low energy usage and very low heat generation, this changes the luminaire to an IP66 rating.

A GU10 version of this luminaire is also available for line voltage lamps. The Bollard Metal Halide is extremely energy efficient, outputting 2-3 times the light of a halogen lamp, and uses a GX10 20 or 35 watt lamp.



## Ordering Information

Luminaire Type	Material/Finish	Accessories
BOL700 - Bollard	BK - Black BZ - Bronze GN - Green STAR - Silver Star WH - White WB - Birch DG - Dark Grey OG - Olive Green RG - Beige PR - Primrose COP - Copper SS - 316 Stainless Steel	CJK150 - Cable Joint Kit HOOD140 - Anti Glare Hood FL - Fluorescent Option GU - GU10 Option LENSBOLOP - Opaque Lens MH - Metal Halide Option /R - Retro™ Transformer 240/12 volt For LED options, refer to page 10.4.1 (G4 JC LED), 10.4.6 (Wafer LED) or <a href="http://hunza.co.nz/l.html">http://hunza.co.nz/l.html</a>

Ordering Example: BOL700 BZ - Bollard 700 in Bronze  
 BOL700FM GN - Bollard 700 with 63.5mm Flange Mount in Green  
 BOL700FM90 BK - Bollard 700 with external 90mm Flange Mount in Black  
 BOL700GU BK - Bollard 700 GU10 in Black  
 BOLMH20 COP - Bollard Metal Halide 20 watt in Copper  
 HOOD140 BZ - Anti Glare Hood in Bronze  
 (Accessories ordered separately)



**HUNZA**™ PURE OUTDOOR LIGHTING

**HUNZA FACTORY**  
 130 Felton Mathew Ave  
 Glen Innes  
 Auckland 1072  
 New Zealand

Ph: 64-9-528 9471  
 Fax: 64-9-528 9361  
[hunza@hunza.co.nz](mailto:hunza@hunza.co.nz)  
[www.hunza.co.nz](http://www.hunza.co.nz)

**INTERNATIONAL CONTACTS:**  
[www.hunza.co.nz/contacts.php](http://www.hunza.co.nz/contacts.php)

Specifications may change without notice.  
 Manufactured in New Zealand.  
 © 2011 Hunza Holdings Ltd.

## Luminaire Construction

CNC machined from one of the following metals:

High corrosion resistant 63.5mm (2½") x 10mm (25/64") aluminium. End cap - solid aluminium 63.5mm (2½") rod, pole - 63.5mm (2½") x 3.25mm (1/8") x 620mm (24½") with chromate substrate and high UV resistant polyester powder coat

Colours Black, Bronze, Green, Silver Star, White, Birch, Dark Green, Olive Green, Beige, Primrose.

Copper 63.5mm (2½") x 10mm (13/32"). End cap - solid copper 63.5mm (2½") rod, pole - 63.5mm (2½") x 3.25mm (1/8") x 620mm (24½").

316 Stainless Steel 63.5mm (2½") x 9mm (11/32"). End cap - solid 316 stainless steel 63.5mm (2½") rod pole - 63.5mm (2½") x 3.25mm (1/8") x 620mm (24½").

## Mounting

Set in concrete in the ground or specify with flange mount option, which bolts to concrete, tiling or wooden decks.

## Features

### Lens:

UV stable polycarbonate lens with anti-glare mesh and dual angle reflector projects light horizontally and at 45° onto the ground.

### Gaskets:

Silicone, iron impregnated 220°C (428°F).

### Lamp Holders:

GU5.3 & GU10 - 350°C (662°F) ceramic multi contact lamp holder with 250°C (480°F) teflon cables.

Metal Halide GX10 - 350°C (662°F) ceramic multi contact lamp holder with 250°C (480°F) teflon cables.


### Fluorescent:

E27 PET 210°C (410°F) base mount. E26 only available in the USA.

### Accessories:

Cable Joint Kit (Cat. CJK150).  
Anti-Glare Hood (Cat. HOOD140).  
Fluorescent Option (Cat. FL).  
GU10 Option (Cat. GU).  
Metal Halide Option (Cat. MH).  
Opaque Lens (Cat. LENSBOLOP).  
Retro™ Transformer 110/240-12 volt (Cat. /R) IP56.

## Standards

IP56/IP66 AS/NZS 61046  UL1838

### Luminaire Weight

12 volt: Alum 1.510kg (3lb 5oz)  
Cop 3.990kg (8lb 12oz)  
SS 3.770kg (8lb 4oz)

Retro: Alum 2.700kg (5lb 15oz)  
Cop 5.200kg (11lb 7oz)  
SS 4.650kg (10lb 4oz)

### Power Supply

HUNZA™ Inground or Wall Mount  
Transformer: not included.

Metal Halide - 230-240 volt ac 50Hz  
built in ballast

### USA and Canada:

HUNZA™ Wall Mount Transformer:  
not included.

### RETRO™ IP56

HUNZA™ 110-240/12 volt ac potted  
electronic transformer built into  
the pole. Dimmable with a suitable dimmer.  
Metal Halide - 120 volt ac 60Hz built in ballast

### Luminaire: supplied with

MR16 GU5.3 20, 35, 50 watt lamp max.  
Fluorescent

E27 - 110/240 volt self ballasted lamp.

GU10 - GU10 25 or 35 watt lamp max.

**LED** - Refer to previous page.

Metal Halide - GX10 20 or 35 watt lamp

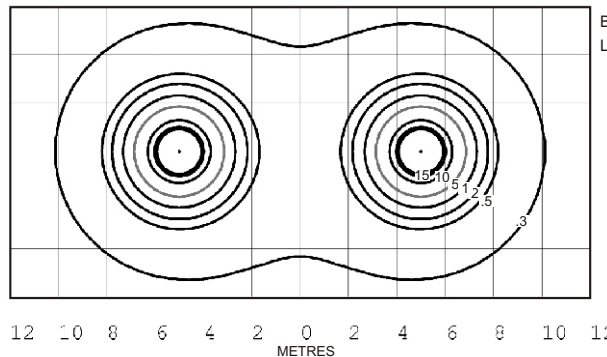
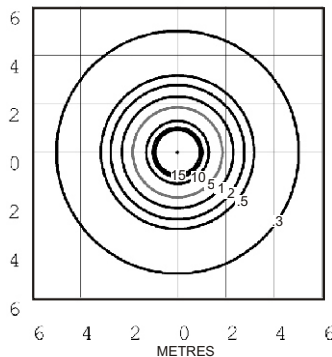
### USA and Canada:

MR16 GU5.3 20, 35, 50 watt lamp max.

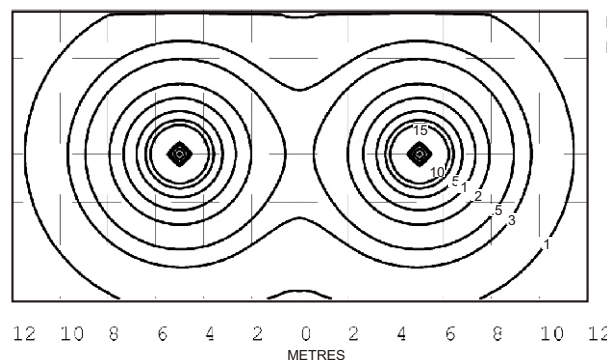
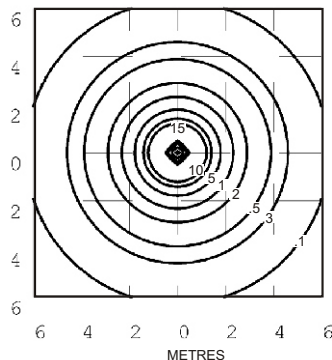
GU10 Halogen - Lamp not supplied

**LED** - Refer to previous page.

Metal Halide - GX10 20 or 35 watt lamp



Bollard 700 MR16 20watt ESX lamp -  
Lens height 700mm (27½")



Bollard 700 MR16 50watt EXT lamp -  
Lens height 700mm (27½")

Isolux Lumens Plot -  
Footcandles =  
Isolux figures divided by 10.76

**HUNZA**™ PURE  
OUTDOOR  
LIGHTING

**HUNZA FACTORY**  
130 Felton Mathew Ave  
Glen Innes  
Auckland 1072  
New Zealand

Ph: 64-9-528 9471  
Fax: 64-9-528 9361  
hunza@hunza.co.nz  
www.hunza.co.nz

**INTERNATIONAL CONTACTS:**  
www.hunza.co.nz/contacts.php

Specifications may change without notice.  
Manufactured in New Zealand.  
© 2011 Hunza Holdings Ltd.

Ver 1.4