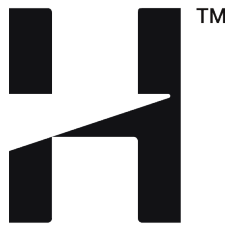
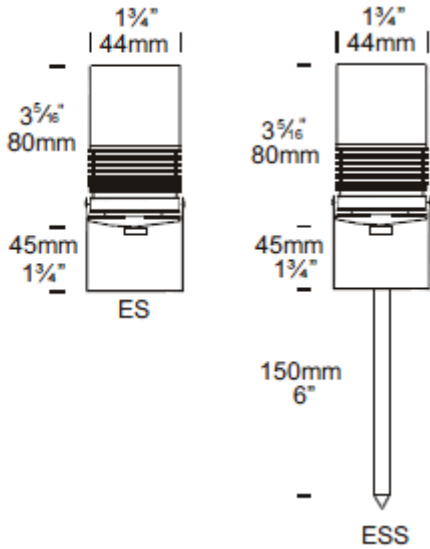


Euro Spot PURE LED

Cat. NO ES/L
Cat. NO ESS/L



PURE LED

Pure Performance

The Euro Spot Pure Led is an extra compact luminaire designed for situations where the fixture needs to be very unobstrusive or concealed. The fixture is inserted into the ground and can be easily aimed by angling the luminaire in the desired direction. This luminaire has a built in glare guard. The fixture can be mounted in a variety of outdoor situations and can also be supplied with an integral spike for easy in-ground mounting.

The Hunza PURE LED system uses the latest Cree MTG-2 chips for maximum performance and long life. Power supply options include a choice of intergral 12 volt driver or an external remote driver. The PURE LED system incorporates an innovative Plug-and-Play system for an easy replacement or upgrade of either the LED engine or integral driver. A choice of a 2700K, 3000K or 4000K colour temperatures are available.

- * At 350mA this fitting is the equivalent of a 25w halogen fitting.
- * At 700mA this fitting is the equivalent of a 35w halogen fitting.

Ordering Information

Luminaire	Driver mA	Beam Angle	Colour Temp	Accessories	Material/Finish
ES/L	S - Series D3 - 12v 350mA D7 - 12v 700mA	15 - 15° TIR Lens 25 - 25° TIR Lens 38 - 38° TIR Lens	2 - 2700K 3 - 3000K 4 - 4000K	CJK - Cable Joint Kit LENSEURF - Frosted Lens S150 - 150mm Spike S300 - 300mm Spike	COP - Copper SS - 316 Stainless

Ordering Example: ES/L S 15 3 CJK SS

HUNZA™ PURE OUTDOOR LIGHTING

HUNZA FACTORY
130 Felton Mathew Ave
Saint Johns
Auckland 1072
New Zealand

Ph: 64-9-528 9471
Fax: 64-9-528 9361
hunza@hunza.co.nz
www.hunza.co.nz

INTERNATIONAL CONTACTS:
www.hunza.co.nz/contacts.php

Specifications may change without notice.
Manufactured in New Zealand.
© 2015 Hunza Holdings Ltd.

Luminaire Construction

CNC machined from one of the following metals

Copper:

Body: 45.4mm (1³/₄") Copper rod.
"U" Bracket: 12mm x 3mm (1/2" x 1/8") Copper.
Spike: 11mm x 150mm (3/8" x 6") Copper.

316 Stainless Steel:

Body; 45.4mm (1³/₄") Stainless Steel rod.
"U" Bracket: 12mm x 3mm (1/2" x 1/8") 316 Stainless Steel.
Spike: 11mm x 150mm (3/8" x 6") 316 Stainless Steel.

Luminaire Weight

Cop 0.550kg (1lb 3oz)
SS 0.500kg (1lb 2oz)

Luminaire Features

Lens

6mm (3/8") extra clear low iron flush fit shatter resistant glass.
Lifetime Warranty.

Gasket

Silicone, iron impregnated 220°C (428°F)

Accessories

Cable Joint Kit (Cat. CJK150)
Frosted Euro Lens (Cat. EURF)
Ground Spike 150mm (6") (Cat. S150).
Ground Spike 300mm (12") (Cat. S300).

Swivels

Copper luminaires - 360° rotation and 0-90° elevation, solid brass with anti rust spring.

Stainless Steel luminaires - 360° rotation and 0-90° elevation, full stainless steel construction.

Mounting

ES:

Via a "U" bracket that is screwed to the mounting surface.

ESS:

Ground spike 150mm (6") or 300mm (12") mounted directly into

Technical Information

Standards

IP66 UL 1838

LED

Cree MTG-2 Plug and Play, field replaceable PCB boards
Lumen Output: 420 at 700mA
Lumens Per Watt: 105 at 4 watts
CRI Warm White (3000K): 85+
Colour Temp: 2700K, 3000K and 4000K

Power Supply

External (Series) Driver

Constant current driver
Output: 6vdc at 700mA maximum

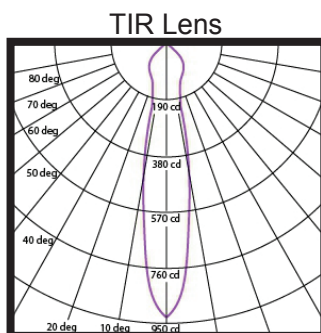
Integral 12 Volt Driver

Hunza™ Plug and Play Driver
Input: 12vac, 5watt total
Output: 6vdc nominal, 350 / 700mA

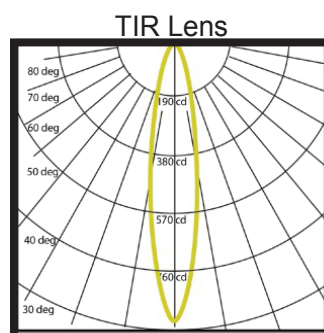
Transformer

Hunza™ Wall Mount Transformer for use with integral 12v driver

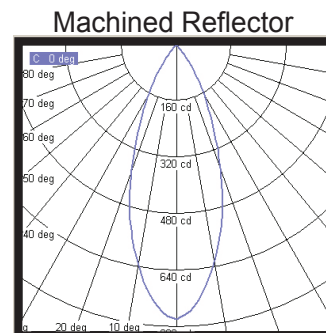
Reflector Beam Angles



15° Angle
3000 K



25° Angle
3000 K



38° Angle
3000 K