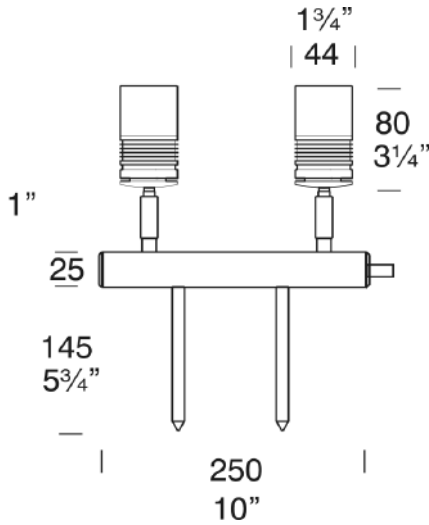


# Euro Twin Bar PURE LED

Cat. No. ETBL/L



PURE LED  
Pure Performance

The Euro Twin Bar Lite is an extra compact luminaire designed for situations where the fixture needs to be very unobtrusive or concealed. This luminaire has two individual spotlights which can be aimed in two entirely different directions and are ideal for illuminating bushes, trees or any landscape features. Each spotlight has a fully adjustable arm allowing 360 degree rotation and 0 to 90 degree elevation adjustment. The heads are mounted on a 250mm (10") bar with twin ground spikes.

The Hunza PURE LED system uses the latest Cree MTG-2 chips for maximum performance and long life. Power supply options include a choice of integral 12 or 120/240 volt (Retro) drivers. There is also an external (series connection) remote driver. The PURE LED system incorporates an innovative Plug-and-Play system for an easy replacement or upgrade of either the LED engine or integral driver.

\* At 350mA this fitting is the equivalent of a 25w halogen fitting.

\* At 700mA this fitting is the equivalent of a 35w halogen fitting.

## Ordering Information

Luminaire	Driver mA	Beam Angle	Colour Temp	Accessories	Material/Finish
ETBL/L	S - Series D3 - 12v 350mA D7 - 12v 700mA R - 110v 240v Retro	15 - 15° TIR Lens 25 - 25° TIR Lens 38 - 38° TIR Lens	2 - 2700K 3 - 3000K 4 - 4000K 39 - 3000K (90+ CRI)	CJK - Cable Joint Kit EURF - Frosted Lens	COP - Copper SS - 316 Stainless

Ordering Example: ETBL/L S 38 3 CJK SS

**HUNZA**™  
PURE  
OUTDOOR  
LIGHTING

HUNZA FACTORY  
130 Felton Mathew Ave  
Saint Johns  
Auckland 1072  
New Zealand

Ph: 64-9-528 9471  
Fax: 64-9-528 9361  
hunza@hunza.co.nz  
www.hunza.co.nz

INTERNATIONAL CONTACTS:  
www.hunza.co.nz/contacts.php

Specifications may change without notice.  
Manufactured in New Zealand.  
© 2015 Hunza Holdings Ltd.

## Luminaire Construction

CNC machined from one of the following metals

### Copper

Body: 45.4mm (1 $\frac{3}{4}$ " ) Copper rod.  
Pole: 150mm (6") Copper.

### 316 Stainless Steel

Body; 45.4mm (1 $\frac{3}{4}$ " ) Stainless Steel rod.  
Spike: 150mm (6") Stainless Steel.

### Luminaire Weight

12volt Cop 1.900kg (4lb 3oz)  
SS 1.550kg (3lb 6oz)

## Luminaire Features

### Lens

6mm ( $\frac{3}{8}$ " ) extra clear low iron flush fit shatter resistant glass.  
Lifetime Warranty.

### Gasket

Silicone, iron impregnated 220°C (428°F)

### Accessories

Cable Joint Kit (Cat. CJK150)  
Frosted Euro Lens (Cat. EURF)

### Swivels

Copper luminaires - 360° rotation and 0-90° elevation, solid brass with anti rust spring.

Stainless Steel luminaires - 360° rotation and 0-90° elevation, full stainless steel construction.

### Mounting

Spikes are directly mounted into the earth.

## Technical Information

### Standards

IP66 UL 1838

### LED (per head)

Cree MTG-2 Plug and Play, field replaceable PCB boards

**Lumen Output:** 340 at 700mA

**Lumens Per Watt:** 85 minimum

**CRI Warm White (3000K):** 85+

**Colour Temp:** 2700K, 3000K and 4000K

**High CRI Option (3000K):** 90+ (lumen output decreases by 15%)

### Power Supply

#### External (Series) Driver (per head)

Constant current driver Output: 6vdc at 700mA maximum

#### Integral 12 Volt Driver

Hunza™ Plug and Play Driver Input:

12vac, 5watt total

Output: 6vdc nominal, 350 / 700mA

#### Transformer

Hunza™ Wall Mount Transformer for use with integral 12v driver

#### Retro 110/240 Volt Driver

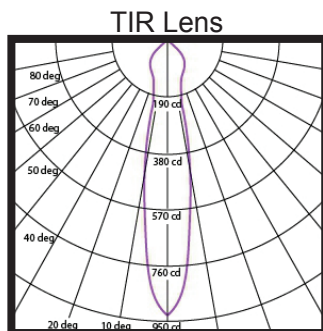
Hunza™ Retro Driver

Input: 120/240vac, 5watt total

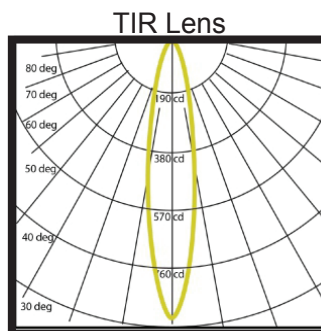
Output: 6vdc, 700mA

0-10 volt dimming

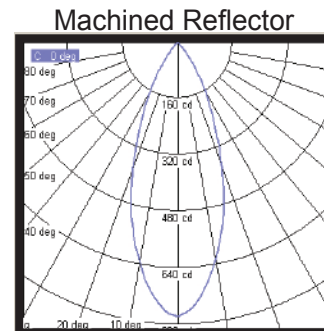
## Reflector Beam Angles



15° Angle  
3000 K



25° Angle  
3000 K



38° Angle  
3000 K