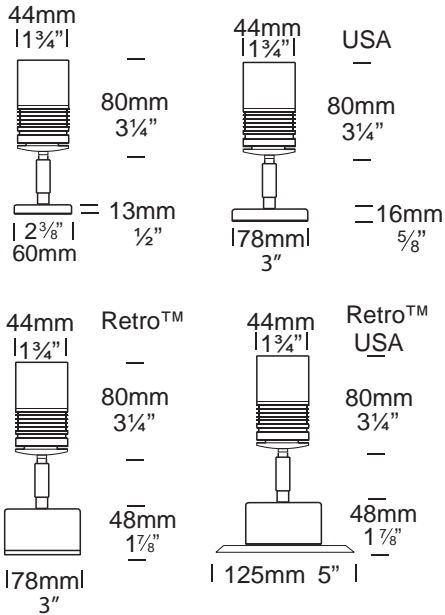


# Euro Wall Spot PURE LED

Cat. NO EWS/L



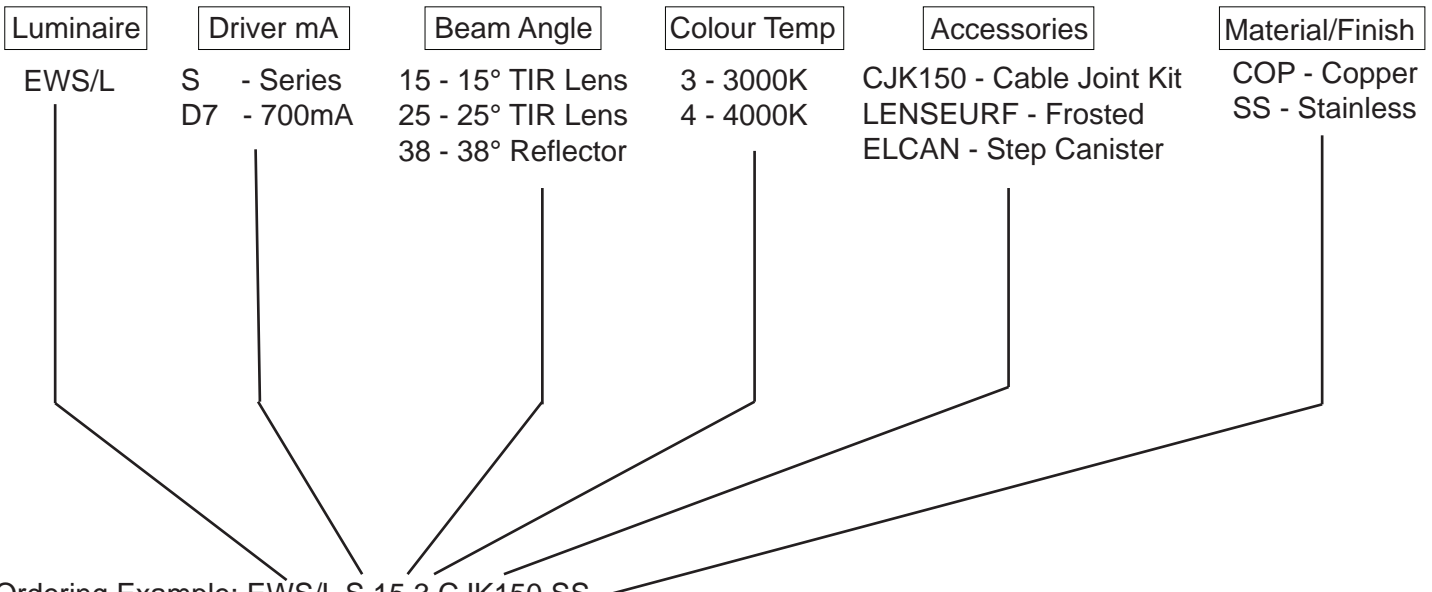
**PURE LED**  
Pure Performance

The Euro Wall Spot PURE LED is for situations where the luminaire needs to be discreet. The spotlight can be aimed in any direction. This luminaire has a fully adjustable arm allowing 360 degree rotation and 0-90 degree elevation with a built-in glare guard. The Euro Wall Spot has been designed to be mounted on walls and provide directional light for pathways and structural elements of a building.

The Retro™ is a 11/240-12 ac mains option suited to an installation where mounting a transformer is a problem, e.g. a brick wall where there is only the cable protruding out of the wall and it is not an option to recess the transformer or when replacing an existing light fitting. The base size increases in size to accommodate the encapsulated ip66 dimmable transformer.

The Hunza PURE LED system uses the latest Cree MTG 2 LED chips for maximum performance and long life. Power supply options include a choice of integral 12 volt driver or 120/240v (Retro) driver. There is also an external remote driver (series connection) option. The PURE LED system incorporates an innovative Plug-and-Play system for an easy replacement or upgrade of either the LED engine or integral driver.

## Ordering Information



Ordering Example: EWS/L S 15 3 CJK150 SS

**HUNZA**™  
PURE  
OUTDOOR  
LIGHTING

HUNZA FACTORY  
130 Felton Mathew Ave  
Glen Innes  
Auckland 1072  
New Zealand

Ph: 64-9-528 9471  
Fax: 64-9-528 9361  
hunza@hunza.co.nz  
www.hunza.co.nz

INTERNATIONAL CONTACTS:  
www.hunza.co.nz/contacts.php

Specifications may change without notice.  
Manufactured in New Zealand.  
© 2013 Hunza Holdings Ltd.

## Luminaire Construction

### CNC machined from:

#### Copper

Body: 45mm Copper (1 $\frac{3}{4}$ " rod.  
Flange: 70mm (3 $\frac{1}{2}$ " solid copper rod.

#### Stainless Steel

Body: 45mm (1 $\frac{3}{4}$ " 316  
Stainless Steel rod.  
Flange: 70mm (3 $\frac{1}{2}$ " solid 316  
Stainless Steel rod.

### Mounting

The Euro Step Lite is fixed in place using a mounting canister. There are no mounting screws in the flange to spoil aesthetics of the luminaire.

## Features

### Lens:

6mm (1/4") extra clear low iron flush fit shatter resistant glass with Hex Cell Louvre for glare control. Lifetime Warranty.

### Gasket:

Silicone, iron impregnated 220°C (428°F)

### LED

**Lumen Output:** 415

**Lumens Per watt:** 65

**CRI Warm White (3000k):** 85+

**Colour Temp:** 3,000 or 4,000K

Cree MTG Plug-and-Play, field replaceable LED board.

### Driver:

Integral 100mA Plug and Play, field replaceable and dimmable.

### Accessories:

Cable Joint Kit (Cat. CJK150)

Euro Lite Canister (Cat. Elcan).

Frosted Lens (Cat. LENSEURF).

## Standards

IP66

UL 1838



### Luminaire Weight

12 volt Cop .700kg (1lb 8oz)  
SS .415kg (14oz)

### Power Supply

HUNZA™ Inground or Wall Mount Transformer or external driver.

### USA and Canada:

HUNZA™ Wall Mount Transformer or external driver.

### 12 volt ac/dc Driver

HUNZA Driver: Plug and Play Driver

Input: 12 vac / vdc 7watt.

Output: 6 dc 700mA

Dimmable

### Retro 110/240 volt Driver

HUNZA Driver: Plug and Play Driver

Input: 120/240 vac 7 watt

Output: 6 dc 700mA

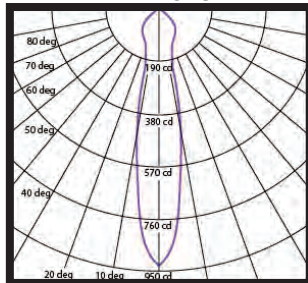
0-10 volt dimming.

### Light Source

LED - CREE MTG 2 6.4 watt  
Plug-and-Play replaceable LED board.

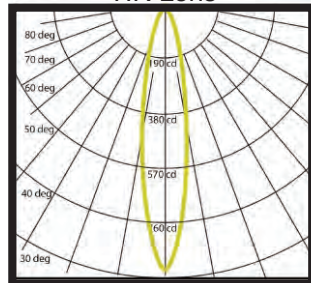
## Reflector Beam Angles

TIR Lens



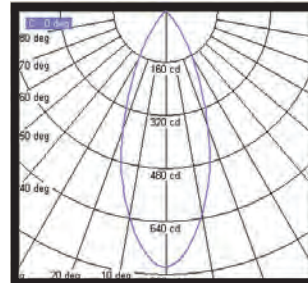
15° Angle  
3000 K

TIR Lens



25° Angle  
3000 K

Machined Reflector



38° Angle  
3000 K