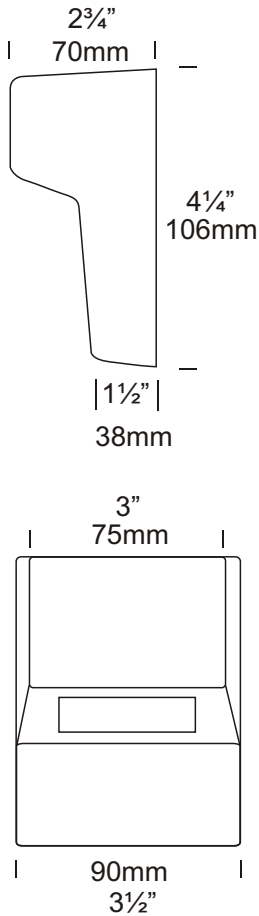


# Mouse Lite Square

Cat. No. MOUSESQ



The Mouse Lite Square is a solid bronze or solid 316 stainless steel luminaire for surface mounting. A space in the wall behind the luminaire is not required for cable connection due to the design that includes a cable connection junction cavity. There is no light directed upward or forward into the eye. This luminaire features a stainless steel reflector for better light projection.

## Ordering Information

### Luminaire Type

MOUSESQ - Mouse Lite Square

### Flange Option

SBZ - Solid Bronze  
 SS - 316 Stainless Steel

### Accessories

CJK150 - Cable Joint Kit  
 /R - Retro™ Transformer  
 110/240-12 volt

For **LED** options, refer to page 10.4 (dedicated LED), or <http://hunza.co.nz/l.html>



Ordering Example MOUSESQ SS - Mouse Lite Square in 316 Stainless Steel

MOUSESQ/R SBZ - Mouse Lite Square Retro™ in Solid Bronze

(Accessories ordered separately)

**HUNZA**™ PURE OUTDOOR LIGHTING

**HUNZA FACTORY**  
 130 Felton Mathew Ave  
 Glen Innes  
 Auckland 1072  
 New Zealand

Ph: 64-9-528 9471  
 Fax: 64-9-528 9361  
[hunza@hunza.co.nz](mailto:hunza@hunza.co.nz)  
[www.hunza.co.nz](http://www.hunza.co.nz)

**INTERNATIONAL CONTACTS:**  
[www.hunza.co.nz/contacts.php](http://www.hunza.co.nz/contacts.php)

Specifications may change without notice.  
 Manufactured in New Zealand.  
 © 2011 Hunza Holdings Ltd.

Ver 1.4

## Luminaire Construction

CNC finished machined from one of the following metals:

Investment cast in bronze with forged brass mounting plate.

Investment cast in 316 stainless steel with investment cast 316 stainless steel mounting plate.

## Mounting

Mounted using two countersunk phillips head screws directly into the mounting surface.

## Features

### Lens:

3mm (1/8") frosted tempered shatter resistant glass.

Lifetime Warranty.

### Gasket:

Nytrol 150°C (302°F).

### Lamp Holder:

G4 - 350°C (662°F) ceramic multi contact lamp holder with 180°C (356°F) silicone cables.

### Accessories:

Cable Joint Kit (Cat. CJK150). Not approved for USA/Canada.  
Retro™ transformer 110/240-12 volt (Cat. /R).

## Standard

IP66 AS/NZS61046  UL1838

## Luminaire Weight

12 volt BZ .820kg (1lb 12oz)

SS .750kg (1lb 10oz)

Retro™ BZ .920kg (2lb)

SS .850kg (1lb 13oz)

## Power Supply

Inground or Wall Mount Transformer: not included.

USA and Canada:

Wall Mount Transformer: not included.

## RETRO™

HUNZA™ 110/240-12 volt ac silicone encapsulated electronic transformer built into the base.

Luminaire: supplied with

G4 5, 10, 20 watt lamp max.

Retro™ G4 10, 20 watt lamp max.

**LED** - Refer sheet no. 10.4

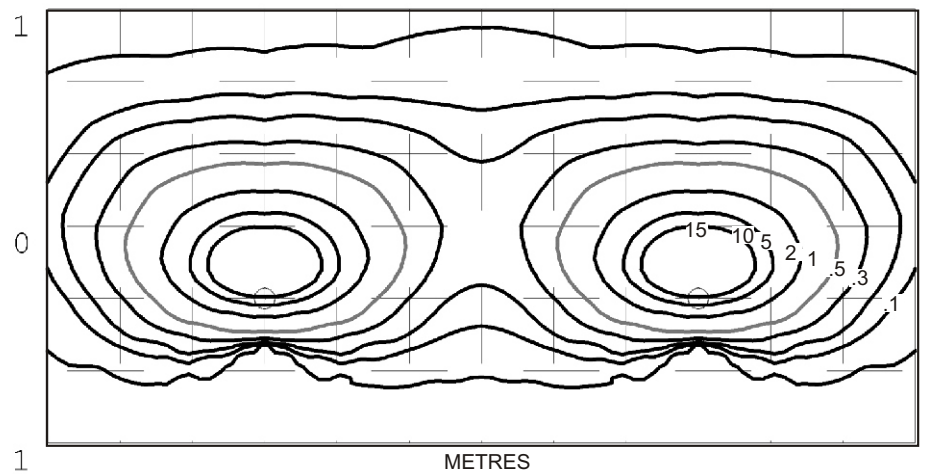
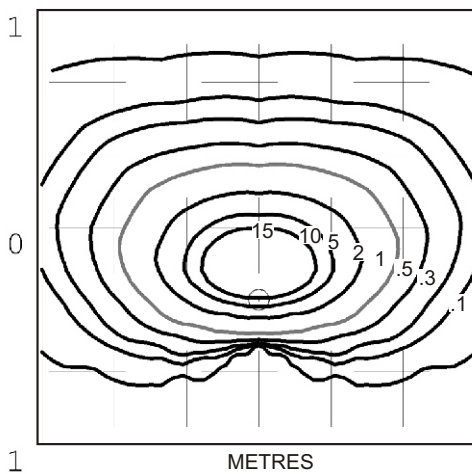
USA and Canada:

G4 5, 10 watt lamp max.

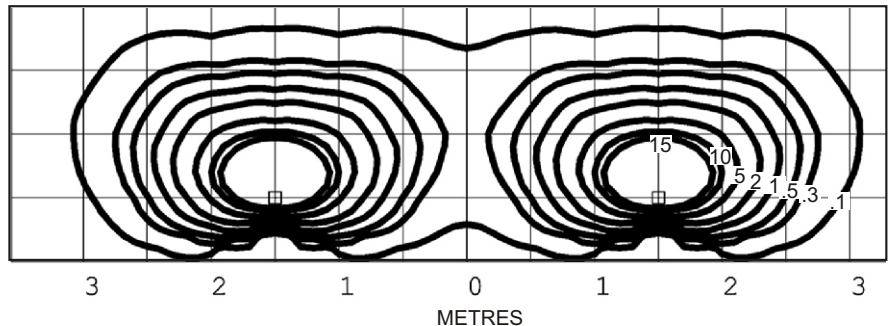
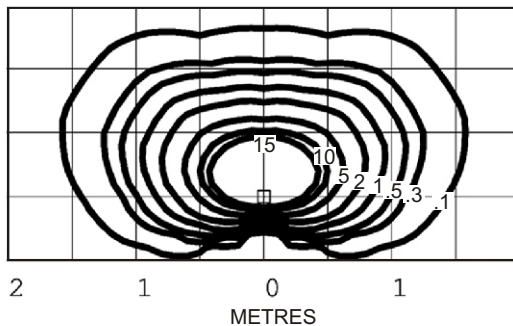
Retro™ G4 5, 10 watt lamp max.

**LED** - Refer sheet no. 10.4

Mouse Lite Square 10 watt G4 Bi-Pin lamp - Lens height 400mm (15¾")



Mouse Lite Square 20 watt G4 Bi-Pin lamp - Lens height 400mm (15¾")



Isolux Lumens Plot - Footcandles = Isolux figures divided by 10.76

**HUNZA**™ PURE  
OUTDOOR  
LIGHTING

**HUNZA FACTORY**  
130 Felton Mathew Ave  
Glen Innes  
Auckland 1072  
New Zealand

Ph: 64-9-528 9471  
Fax: 64-9-528 9361  
hunza@hunza.co.nz  
www.hunza.co.nz

**INTERNATIONAL CONTACTS:**  
[www.hunza.co.nz/contacts.php](http://www.hunza.co.nz/contacts.php)

Specifications may change without notice.  
Manufactured in New Zealand.  
© 2011 Hunza Holdings Ltd.

Ver 1.4