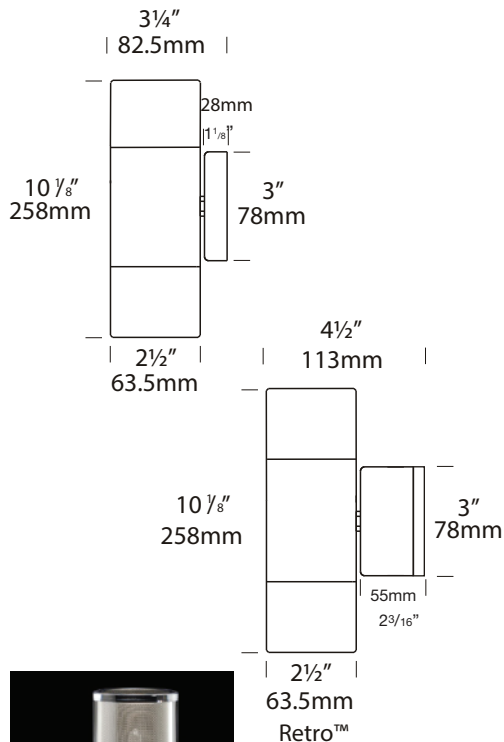


# Pagoda Pagoda PURE LED

Cat. No. PGL/PGL/L



PURE LED  
Pure Performance

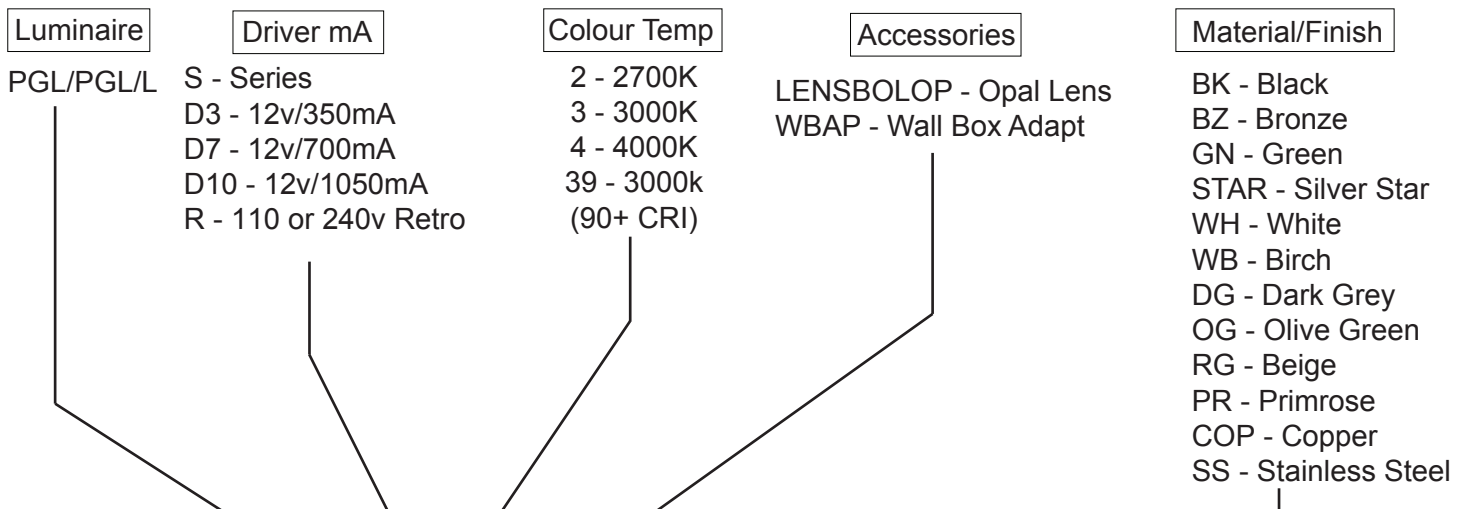
The Pagoda Pagoda Lite PURELED has two MTG-2 chips, which produce a general lighting effect. This luminaire is not for directional lighting. The lens is manufactured from high quality UV stable polycarbonate with stainless anti-glare mesh. An opal frosted lens is also available as an option.

The Hunza PURELED system uses the latest Cree MTG-2 LED chips for maximum performance and long life. Power supply options include a choice of integral 12 volt driver, an integral Retro™ 110/240 volt driver or an external remote driver. The integral Retro driver has a 0-10 volt dimming function. PURELED incorporates an innovative Plug-and-Play system for easy replacement or upgrade of either the LED engine or integral driver.

The Retro™ version is ideal for installations where mounting an external power source is a problem, e.g. on a brick wall where there is no space to recess the driver. The base size increases in depth to accommodate the encapsulated IP66 dimmable driver.

\*At 700mA this fitting is the equivalent of a 35w halogen fitting.  
\*At 1050mA this fitting is the equivalent of a 50w halogen fitting.

## Ordering Information



Ordering Example: PGL/PGL/L R 3 LENSBOLOP BK

**HUNZA**™  
PURE  
OUTDOOR  
LIGHTING

HUNZA FACTORY  
130 Felton Mathew Ave  
Saint Johns  
Auckland 1072  
New Zealand

Ph: 64-9-528 9471  
Fax: 64-9-528 9361  
hunza@hunza.co.nz  
www.hunza.co.nz

INTERNATIONAL CONTACTS:  
www.hunza.co.nz/contacts.php

Specifications may change without notice.  
Manufactured in New Zealand.  
© 2014 Hunza Holdings Ltd.

## Luminaire Construction

**CNC Machined from one of the following metals:**

### Aluminium

**Body:** High corrosion resistant 63.5mm (2.5") x 10mm (25/64") aluminium.

**Base & Mounting Plate:** Cast from virgin high corrosion resistant CC401 low copper aluminium alloy with chromate substrate and high UV resistant polyester powder coat – Black, Bronze, Green, Silver Star, White, Birch, Dark Grey, Olive Green, Beige, Primrose.

### Copper

**Body:** 63.5mm (2.5") x 10mm (25/64").

**Base:** Hand Spun Copper 2mm (5/64")

**Mounting Plate:** Forged Brass (Retro™)

### Stainless Steel

**Body:** 63.5mm (2.5") x 9mm (11/32") rod

**Base:** Investment cast and CNC machined

**Mounting Plate:** Investment cast and CNC machined (Retro™)

### Luminaire Weight

12 volt Alum: 0.870kg (1lb 14oz)  
Cop: 1.920kg (4lb 4oz)  
SS: 1.820kg (4lb)

Retro Alum: 1.200kg (2lb 10oz)  
Cop: 2.200kg (4lb 10oz)  
SS: 2.100kg (4lb 10oz)

## Luminaire Features

### Lens:

UV stable clear polycarbonate with stainless anti-glare mesh.

### Gasket:

Silicone, iron impregnated 220°C (428°F)

### Accessories:

Opal Lens (Cat. LENSBOLOP)  
Wall Box Adaptor (Cat. WB)

### Mounting

**12 Volt:** The luminaire is mounted to the wall using two 316 stainless screws through a shallow base 16mm (5/8") in depth. A Wall Box Adaptor Plate is available as an accessory to fit 3/0 and 4/0 junction boxes for USA/Canada.

**Retro™** : A mounting plate is fixed to the wall using two screws and the luminaire is fitted to the mounting plate.

## Technical Information

### Standards

AS/NZS 61046  
IP56/IP66 UL 1838

### LED (per head)

Cree MTG-2 Plug and Play, field replaceable LED board.

**Lumen Output:** 600 lm at 1050mA

**Lumens Per watt:** 85 minimum

**CRI Warm White (3000k):** 85+

**Colour Temp:** 2700, 3000 or 4000K

**High CRI Option (3000K):** 90+ (lumen output decreases by 15%)

### Power Supply

#### Series (Remote) Driver (per LED)

Constant current driver  
LED requirements: 6vdc at 1050mA maximum

#### Integral 12 Volt Driver

Hunza™ Plug and Play Driver  
Input: 12vac, 14 watt total Output: 350 / 700 / 1050mA (1050mA limited ≤ 40° ambient temperature in Stainless Steel)

#### Transformer

Hunza™ Wall Mount Transformer for use with integral 12 volt driver

Retro 110 or 240 Volt Driver

Hunza™ Retro Driver

Input: 120 or 240vac, 10 watt total Output: 700mA

0-10 volt dimming

(USA - non dimming)