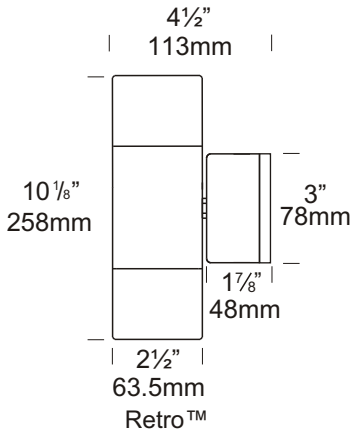
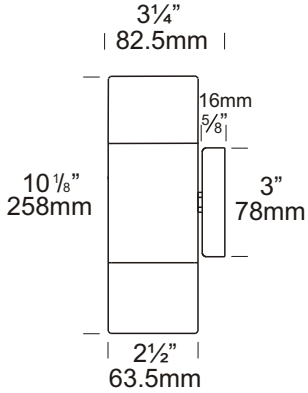


# Pagoda Pagoda Lite

Cat. No. PGLPGL  
 Cat. No. PGLPGL/R  
 Cat. No. PGLPGLG9



The Pagoda Pagoda Lite has two G4 lamps, which produce a general lighting effect. This luminaire is not for directional lighting. The lens is manufactured from high quality UV stable polycarbonate with stainless anti-glare mesh.

The Retro™ is a 110/240-12 ac mains option suited to an installation where mounting a transformer is a problem, e.g. a brick wall where there is only the cable protruding out of the wall and it is not an option to recess the transformer or when replacing an existing light fitting. The base size increases in size to accommodate the encapsulated IP66 dimmable transformer.

A G9 version of this luminaire is also available for line voltage lamps.

## Ordering Information

Luminaire Type	Material/Finish	Accessories
PGLPGL - Pagoda Pagoda Lite	BK - Black BZ - Bronze GN - Green STAR - Silver Star WH - White WB - Birch DG - Dark Grey OG - Olive Green RG - Beige PR - Primrose COP - Copper SS - 316 Stainless Steel	CJK150 - Cable Joint Kit LENSBOLOP - Opaque Lens /R - Retro Transformer 110/240-12 Volt WBAP - Wall Box Adaptor Plate G9 - G9 Option  For LED options, refer to page 10.4.1 (G4 JC LED), 10.4.6 (Wafer LED) or <a href="http://hunza.co.nz/l.html">http://hunza.co.nz/l.html</a>
Ordering Example PGL/PGL BZ - Pagoda Pagoda Lite in Bronze PGL/PGLG9 BZ - Pagoda Pagoda Lite G9 in Bronze WBAP BZ - Wall Box Adaptor Plate in Bronze (Accessories ordered separately)		

**HUNZA**™ PURE OUTDOOR LIGHTING

**HUNZA FACTORY**  
 130 Felton Mathew Ave  
 Glen Innes  
 Auckland 1072  
 New Zealand

Ph: 64-9-528 9471  
 Fax: 64-9-528 9361  
[hunza@hunza.co.nz](mailto:hunza@hunza.co.nz)  
[www.hunza.co.nz](http://www.hunza.co.nz)

**INTERNATIONAL CONTACTS:**  
[www.hunza.co.nz/contacts.php](http://www.hunza.co.nz/contacts.php)

Specifications may change without notice.  
 Manufactured in New Zealand.  
 © 2011 Hunza Holdings Ltd.

## Luminaire Construction

CNC machined from one of the following metals:

**Body:** High corrosion resistant low copper 63.5mm (2½") x 10mm (3/8") aluminium.

**Base & Mounting Plate:** Cast from virgin high corrosion resistant CC401 low copper aluminium alloy chromate substrate and high UV resistant polyester powder coat - Black, Bronze, Green, Silver Star, White, Birch, Dark Green, Olive Green, Beige, Primrose.

**Copper:** Body 63.5mm (2½") x 10mm (3/8").

**Base:** Hand spun Copper 2mm (1/13").

**Mounting Plate:** Forged brass (Retro™)

**316 Stainless Steel:** Body 63.5mm (2½") x 9mm (1/3") rod.

**Base:** Investment cast and CNC machined.

**Mounting Plate:** Investment cast and CNC machined (Retro™).

## Mounting

12 volt: the luminaire is mounted to the wall using two 316 stainless screws through a shallow base 16mm (5/8") in depth. A Wall Box Adaptor Plate is available as an accessory to fit 3.0 and 4.0 junction boxes for USA/Canada.

Retro™ luminaire (110/240-12 volt): a mounting plate is fixed to the wall using two screws and the luminaire is fitted to the mounting plate.

## Features

### Lens:

UV stable clear polycarbonate with stainless anti-glare mesh.

### Gaskets:

Silicone, iron impregnated 220°C (428°F).

### Lamp Holders:

G4 - 350°C (662°F) ceramic multi contact lamp holder with 250°C (480°F) teflon cables.

G9 - 280°C (536°F) ceramic lamp holder with 250°C (480°F) teflon cables.

### Accessories:

Cable Joint Kit (Cat. CJK150).  
Not approved for USA /Canada.

Retro™ Transformer 110/240-12 volt (Cat. /R).

Wall Box Adaptor Plate USA/Canada (Cat. WBAP 12 volt luminaire).

Opaque Lens (Cat. LENSBOLOP).

G9 Option (Cat. G9).

## Standards

IP66 AS/NZS61046  UL1838

### Luminaire Weight

12 volt

Alum .870kg (1lb 14oz)

Cop 1.920kg (4lb 4oz)

SS 1.820kg (4lb)

Retro™

Alum 1.200kg (2lb 10oz)

Cop 2.200kg (4lb 13oz)

SS 2.100kg (4lb 10oz)

### Power Supply

12 volt

HUNZA™ Inground or HUNZA™ Wall Mount Transformer: not included.

### USA and Canada:

HUNZA™ Wall Mount Transformer: not included.

RETRO™

HUNZA™ 110/240-12 volt ac silicone encapsulated electronic transformer built into the Retro base. Dimmable with a suitable dimmer.

### Luminaire: supplied with

2 x G4 Bi-Pin 5, 10, 20 watt lamp max.  
G9 - 25 watt lamp max.

**LED** - Refer to previous page.

USA and Canada:

2 x G4 Bi-Pin 5, 10, 20 watt lamp max.  
G9 - 25 watt lamp max.

**LED** - Refer to previous page.

**HUNZA™** PURE  
OUTDOOR  
LIGHTING

**HUNZA FACTORY**  
130 Felton Mathew Ave  
Glen Innes  
Auckland 1072  
New Zealand

Ph: 64-9-528 9471  
Fax: 64-9-528 9361  
hunza@hunza.co.nz  
www.hunza.co.nz

**INTERNATIONAL CONTACTS:**  
www.hunza.co.nz/contacts.php

Specifications may change without notice.  
Manufactured in New Zealand.  
© 2011 Hunza Holdings Ltd.

Ver 1.4