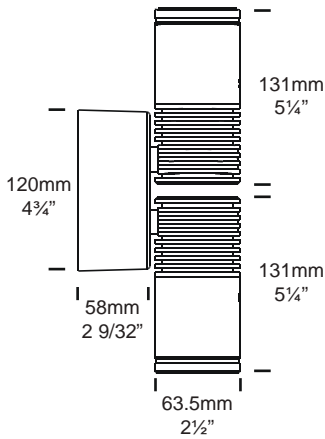


# Pillar Lite HIGH POWER

Cat. No. PIL/HP



**PURE LED**  
Pure Performance

The Pillar Lite High Power illuminates both upwards and downwards, giving columns, gateway pillars and entrances a dramatic effect.

This luminaire is machined from solid aluminium with a UV stable "E" powder coat. It features an extra clear, low iron tempered flush lens and high temperature silicon gaskets.

The Hunza HIGH POWER system uses Cree MT-G 2 chips for maximum performance and long life. Power supply options include a choice of a 120/240 volt (Retro) driver or an external remote (series connection) driver. The HIGH POWER system incorporates Hunza's Plug-and-Play system for easy replacement of the LED engine. Four beam angles and a choice of 2700K, 3000K or 4000K colour temperatures are available.

## Ordering Information

Luminaire	Driver mA	Beam Angle	Colour Temp	Accessories	Material/Finish
PIL/HP	S - Series	15 - 15° TIR Lens	2 - 2700K	GG - Glare Guard	BK - Black
	R - 110 or 240v Retro	25 - 25° TIR Lens	3 - 3000K	STEPF - Frosted Lens	BZ - Bronze
		38 - 38° TIR Lens	4 - 4000K	WB - Wall Box Adaptor	STAR - Silver Star
		60 - 60° TIR Lens	39 - 3000K (90+ CRI)	CJK150 - Cable Joint Kit	WH - White
				HCL - Hex Cell Louvre Kit	

Ordering Example: PIL/HP S 15 3 GG BK

**HUNZA**<sup>TM</sup>  
PURE  
OUTDOOR  
LIGHTING

HUNZA FACTORY  
130 Felton Mathew Ave  
Saint Johns  
Auckland 1072  
New Zealand

Ph: 64-9-528 9471  
Fax: 64-9-528 9361  
hunza@hunza.co.nz  
www.hunza.co.nz

INTERNATIONAL CONTACTS:  
[www.hunza.co.nz/contacts.php](http://www.hunza.co.nz/contacts.php)

Specifications may change without notice.  
Manufactured in New Zealand.  
© 2015 Hunza Holdings Ltd.

## Luminaire Construction

### CNC machined from:

High corrosion resistant 63.5mm (2½") x 10mm (25/64") aluminium.

HP body - solid aluminium 63.5mm (2½") rod with chromate substrate and high UV resistant polyester "E" powder coat colours Black, Bronze, Silver Star, White.

### Luminaire Weight

Alum .870kg (1lb 14oz)

## Luminaire Features

### Lens

10mm (3/8") extra clear low iron flush fit shatter resistant glass. Lifetime Warranty.

### Gasket

Silicone, iron impregnated 220°C (428°F)

### Accessories

Frosted Lens (Cat. STEPF)

Glare Guard (Cat. GG)

Hex Cell Louvre Kit (Cat. HCL)

### Mounting

A mounting plate is fixed to the wall using two screws and the luminaire is fitted to the mounting plate.

## Technical Information

### Standards

AS/NZS 61046

IP56/IP66 UL 1598

### LED (per head)

Cree MTG 2 Plug and Play, field replaceable LED board.

**Lumen Output:** 1000 at 2080mA

**Lumens Per watt:** 83 minimum

**CRI Warm White (3000k):** 85+

**Colour Temp:** 2700K, 3000K or 4000K

**High CRI Option (3000K):** 90+ (lumen output decreases by 15%)

## Power Supply

### External (Series) Driver

Constant current driver

Output: 6vdc per head at 2080mA maximum

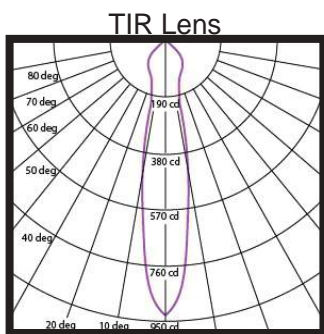
### Retro 110/240 Volt Driver

Hunza™ Retro Driver

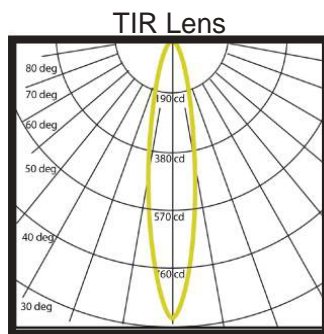
Input: 90-305vac, 2080mA

0-10 volt dimming

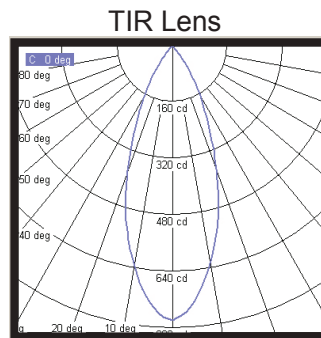
## Beam Angles



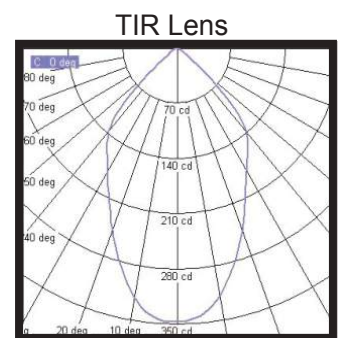
15° Angle  
3000 K



25° Angle  
3000 K



38° Angle  
3000 K



60° Angle  
3000 K