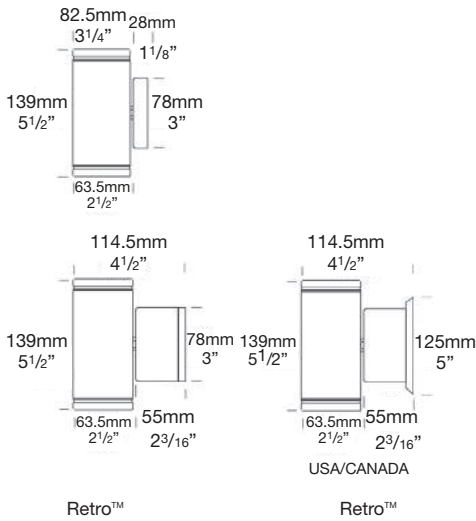


Pillar Lite PURE LED

Cat. NO PIL/L



PURE LED
Pure Performance



The Pillar Lite PURE LED illuminates both upwards and downwards, giving columns, gateway pillars and entrances a dramatic effect. The Retro™ is a 110-240 volts 12ac mains option suited for installation where a mounting transformer is a problem, e.g. a brick wall where there is only the cable protruding out of the wall and it is not an option to recess the transformer or when replacing an existing light fitting. The base increases in size to accommodate the encapsulated IP66 dimmable transformer.

This luminaire is machined from a choice of 10mm solid aluminium with a UV stable powder coat, natural copper or 316 stainless steel. It features an extra clear, low iron tempered flush lens and high temperature silicon gaskets.

The Hunza PURE LED system uses Cree MTG-2 chips for maximum performance and long life. Power supply options include a choice of integral 12 or 120/240 volt (Retro) drivers. There is an external remote (series connection) driver option also. The PURE LED system incorporates Hunza's Plug-and-Play system for easy replacement of the LED engine or integral driver in the field. Four beam angles, and a choice of a Warm or Cool White colour temperatures are available.

* At 700mA this fitting is the equivalent of a 35w halogen fitting.
* At 1050mA this fitting is the equivalent of a 50w halogen fitting.

Ordering Information

Luminaire	Driver mA	Beam Angle	Colour Temp	Accessories	Material/Finish
PIL/L	S - Series	15 - 15° TIR Lens	2 - 2700K	GG - Glare Guard	BK - Black
	D3 - 12v/350mA	25 - 25° TIR Lens	3 - 3000K	STEPF - Frosted Lens	BZ - Bronze
	D7 - 12v/700mA	38 - 38° Reflector	4 - 4000K	WBAP - Wall Box Adaptor	GN - Green
	D10 - 12v/1050mA	60 - 60° Reflector	39 - 3000k (90+ CRI)	CJK - Cable Joint Kit	STAR - Silver Star
	R- 110 or 240V retro driver			HCL - Hex Cell Louvre	WH - White
					WB - Birch
					DG - Dark Grey
					OG - Olive Green
					RG - Beige
					PR - Primrose
					Cop - Copper
					SS - 316 Stainless

Ordering Example: PIL/L S 15 3 GG BK

HUNZA™ PURE OUTDOOR LIGHTING

HUNZA FACTORY
130 Felton Mathew Ave
Saint Johns
Auckland 1072
New Zealand

Ph: 64-9-528 9471
Fax: 64-9-528 9361
hunza@hunza.co.nz
www.hunza.co.nz

INTERNATIONAL CONTACTS:
www.hunza.co.nz/contacts.php

Specifications may change without notice.
Manufactured in New Zealand.
© 2014 Hunza Holdings Ltd.

Luminaire Construction

CNC machined from one of the following metals:

Body: High corrosion resistant 63.5mm (2½") x 10mm (25/64") aluminium.

Base and Mounting Plate:

Cast from virgin high corrosion resistant CC401 low copper aluminium alloy chromate substrate and high UV resistant polyester powder coat colours Black, Bronze, Green, Silver Star, White, Birch, Dark Grey, Olive Green, Beige, Primrose.

Body: Copper 63.5mm (2½") x 10mm (25/64").

Base: Copper hand spun 2mm (5/64").

Mounting Plate: Forged brass (Retro™).

Body: 316 Stainless steel 63.5mm (2½") x 9mm (11/32") rod.

Base: Investment cast and CNC Machined (Retro™).

Mounting Plate: Investment cast and CNC machined.

Luminaire Weight

12 volt

Alum .775kg (1lb 11oz)

Cop 2.230kg (4lb 14oz)

SS 1.750kg (3lb 13oz)

Retro™

Alum 1.100kg (21lb 6oz)

Cop 2.650kg (5lb 13oz)

SS 2.200kg (4lb 13oz)

Features

Lens:

10mm (3/8") extra clear low iron flush fit shatter resistant glass.

Lifetime Warranty.

Gasket:

Silicone, iron impregnated 220°C (428°F)

Accessories:

Cable Joint Kit (Cat. CJK150)

Frosted Lens (Cat. STEPF)

Wall Box Adaptor (Cat. WB)

Glare Guard (Cat. GG)

Hex Cell Louvre (Cat. HCL)

Mounting

The luminaire is mounted to the wall using two 316 stainless screws through a shallow base 16mm (5/8") in depth. A Wall Box Adaptor Plate is available as an accessory to fit 3.0 and 4.0 Junction boxes for USA /Canada.

Retro™ luminaire (110/240volt):

A mounting plate is fixed to the wall using two screws and the luminaire is fitted to the mounting plate.

Technical Information

Standards

AS/NZS 61046

IP56/IP66 UL 1838

LED (per head)

Cree MTG-2 Plug and Play, field replaceable LED board.

Lumen Output: 600 lm at 1050mA

Lumens Per watt: 85 minimum

CRI Warm White (3000k): 85+

Colour Temp: 2700, 3000 or 4000K

High CRI Option (3000K): 90+ (lumen output decreases by 15%)

Power Supply

Series (Remote) Driver (per LED)

Constant current driver

LED requirements: 6vdc at 1050mA maximum

Integral 12 Volt Driver

Hunza™ Plug and Play Driver

Input: 12vac, 14 watt total Output: 350 / 700 / 1050mA

(1050mA limited ≤ 40° ambient temperature in Stainless Steel)

Transformer

Hunza™ Wall Mount Transformer for use with integral 12 volt driver

Retro 110 or 240 Volt Driver

Hunza™ Retro Driver

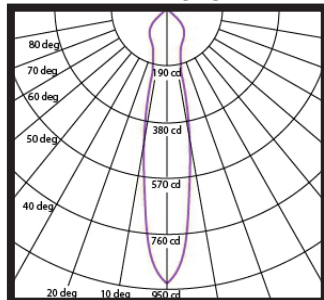
Input: 120 or 240vac, 10 watt total Output: 700mA

0-10 volt dimming

(USA - non dimming)

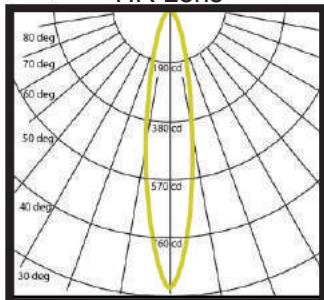
Reflector Beam Angles

TIR Lens



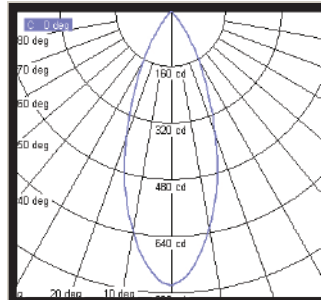
15° Angle
3000 K

TIR Lens



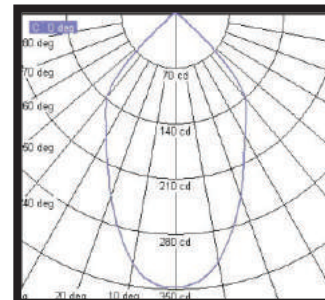
25° Angle
3000 K

Machined Reflector



38° Angle
3000 K

Machined Reflector



60° Angle
3000 K

HUNZA™ PURE
OUTDOOR
LIGHTING

HUNZA FACTORY
130 Felton Mathew Ave
Saint Johns
Auckland 1072
New Zealand

Ph: 64-9-528 9471
Fax: 64-9-528 9361
hunza@hunza.co.nz
www.hunza.co.nz

INTERNATIONAL CONTACTS:
www.hunza.co.nz/contacts.php

Specifications may change without notice.
Manufactured in New Zealand.
© 2014 Hunza Holdings Ltd.