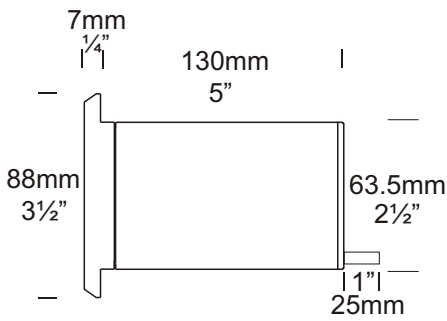
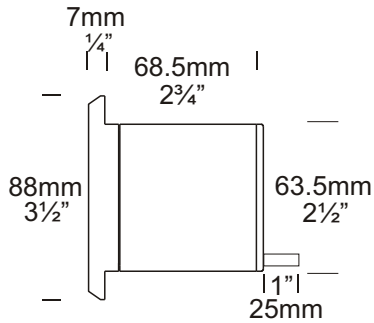
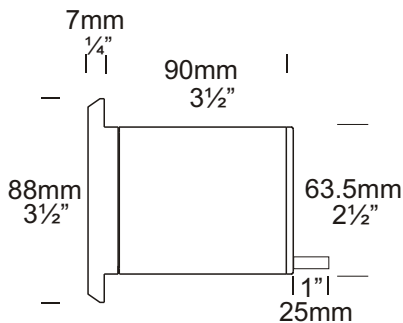


Step Lite Louvre Square

Cat. No. SLLUSQ
Cat. No. SLLUSQFL
Cat. No. SLLUSQGU



Fluorescent Option



GU10 Option



The Step Lite Louvre Square has an 88mm (3 1/2") square flange with a flush surface look with no protrusions. The 45 degree louvre eliminates all upward light making this luminaire ideal for illumination of steps and low level features such as exterior paved areas.

A 110/240 volt fluorescent option is available which offers excellent light output, low energy usage and very low heat generation, this changes the luminaire to an IP66 rating.

A GU10 version of this luminaire is also available for line voltage lamps. However, a longer luminaire body is needed to accommodate the longer lamp.

Ordering Information

Luminaire Type	Material	Accessories
SLLUSQ - Step Lite Louvre Square	COP - Copper SS - 316 Stainless Steel	CJK150 - Cable Joint Kit FL - Fluorescent Option LENSSTEPF - Frosted Lens Slcan - Step Lite Canister Flucan - Fluorescent Canister PVC Canss - 316 Stainless Steel Canister GU - GU10 Option

For **LED** options, refer to page 10.4 (dedicated LED), 10.4.3 (6 watt), 10.4.4 (3 watt) or <http://hunza.co.nz/l.html>

Ordering Example: SLLUSQ SS - Step Lite Louvre Square in 316 Stainless Steel

SLLUSQFL COP - Step Lite Louvre Square in Copper with Fluorescent option

SLLUSQGU COP - Step Lite Louvre Square GU10 in Copper

CJK150 - Cable Joint Kit
(Accessories ordered separately)

HUNZA™ PURE OUTDOOR LIGHTING

HUNZA FACTORY
130 Felton Mathew Ave
Glen Innes
Auckland 1072
New Zealand

Ph: 64-9-528 9471
Fax: 64-9-528 9361
hunza@hunza.co.nz
www.hunza.co.nz

INTERNATIONAL CONTACTS:
www.hunza.co.nz/contacts.php

Specifications may change without notice.
Manufactured in New Zealand.
© 2011 Hunza Holdings Ltd.

Ver 1.4

Luminaire Construction

CNC machined from one of the following metals:

Copper: 63.5mm (2½") x 10.5mm (13/32"). End cap - solid copper 63.5mm (2½") rod.
Flange 90mm x 90mm (3½" x 3½") bar.

316 Stainless Steel: 9mm (11/32"). End cap - solid 316 stainless steel 63.5mm (2½") rod.
Flange 90mm x 90mm (3½" x 3½") bar.

Mounting

Designed to fit through a 66mm (2 5/8") hole and be fixed into position by two screws in the flange or a Step Lite canister (see accessories) can be used which maintains the aesthetic look of the flange by eliminating the two screw holes in the flange.

Features

Lens:
3mm (1/8") thick clear tempered shatter resistant glass.

Lifetime Warranty.

Gaskets:
Silicone, iron impregnated 220°C (428°F).

Lamp Holder:
GU5.3 & GU10 - 350°C (662°F) ceramic multi contact lamp holder with 250°C (480°F) teflon cables.

Fluorescent:
E27 PET 210°C (410°F) base mount.
E26 available in the USA.

Accessories:

Cable Joint Kit (Cat. CJK150)
Not approved for USA /Canada.
Fluorescent Option 8 watt 240 volt (Cat. FL) IP66.
Fluorescent Canister, PVC (Cat. Flucan).
Frosted Lens (Cat. LENSSTEPF).
Step Canister (Cat. Sican).
316 Stainless Canister for use in lime stone etc. (Cat. Canss).
GU10 Option (Cat. GU).

Standards

EN60598

IP66/IP68



UL1838

Luminaire Weight

12 volt
Cop 1.350kg (2lb 15oz)
SS 1.040 (2lb 4oz)
Fluorescent IP66
Cop 2.300kg (5lb 1oz)
SS 1.675 (3lb 11oz)

Power Supply

HUNZA™ Inground or Wall Mount Transformer: not included.

USA and Canada:

HUNZA™ Wall Mount Transformer: not included.

Luminaire: supplied with

Halogen
MR16 GU5.3 20watt lamp max.
Fluorescent
E27 - 110/240 volt self ballasted lamp.
GU10 - GU10 25 or 35 watt lamp max.

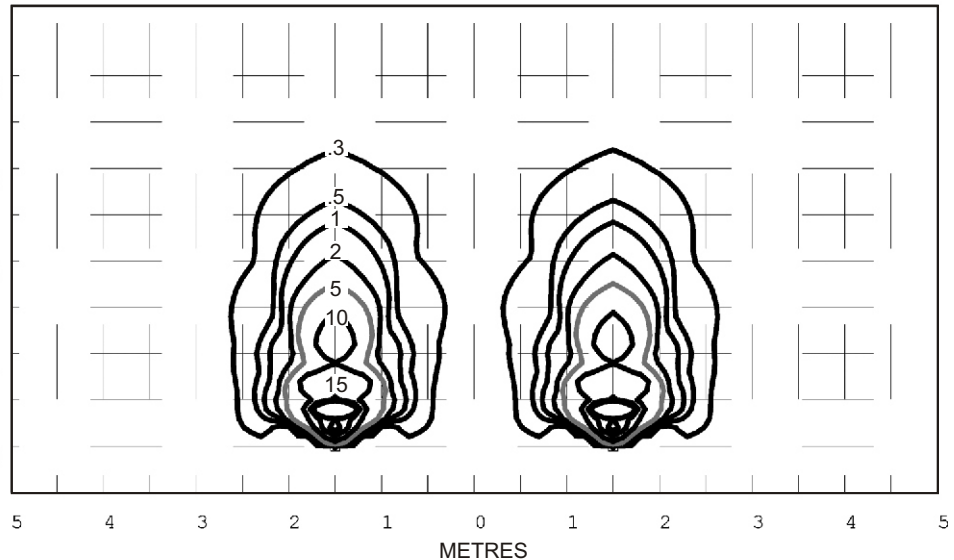
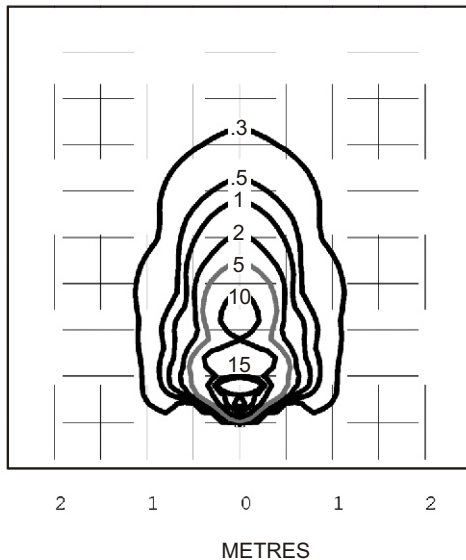
LED - Refer to previous page.

USA and Canada:

MR16 GU5.3 20 watt lamp max.
GU10 Halogen - Lamp not supplied

LED - Refer to previous page.

Step Lite Louvre Square Lux MR16 BAB 20 watt lamp - Lens height 400mm (15¾")



Isolux Lumens Plot - Footcandles = Isolux figures divided by 10.76

HUNZA™ PURE OUTDOOR LIGHTING

HUNZA FACTORY
130 Felton Mathew Ave
Glen Innes
Auckland 1072
New Zealand

Ph: 64-9-528 9471
Fax: 64-9-528 9361
hunza@hunza.co.nz
www.hunza.co.nz

INTERNATIONAL CONTACTS:
www.hunza.co.nz/contacts.php

Specifications may change without notice.
Manufactured in New Zealand.
© 2011 Hunza Holdings Ltd.

Ver 1.4