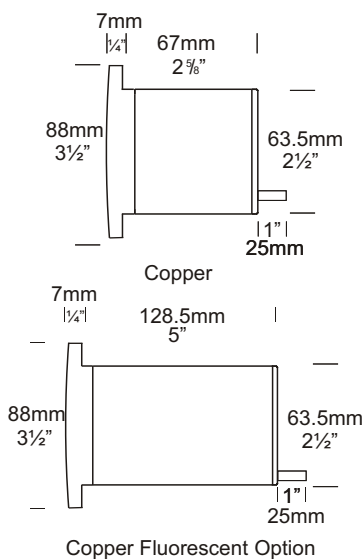
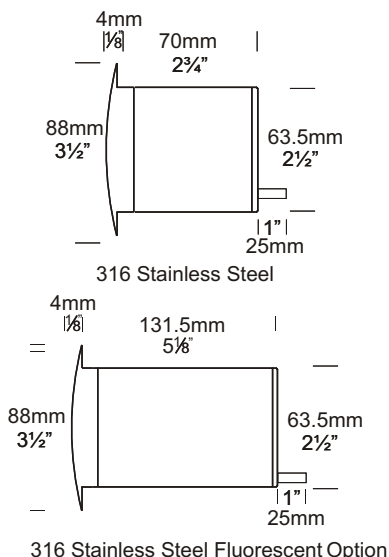


Step Lite Louvre

Cat. No. SLLU
 Cat. No. SLLUFL
 Cat. No. SLLUGU



The Step Lite Louvre has a flush to the surface look with no protrusions. The 45 degree louvre eliminates all upward light, making this luminaire ideal for providing illumination of steps and low level features such as exterior paved areas.

A 110/240 volt fluorescent option is available which offers excellent light output, low energy usage and very low heat generation, this changes the luminaire to an IP66 rating.

A GU10 version of this luminaire is also available for line voltage lamps. However, a longer luminaire body is needed to accommodate the longer lamp.

Ordering Information

Luminaire Type	Material	Accessories
SLLU - Step Lite Louvre	COP - Copper SS - 316 Stainless Steel	CJK150 - Cable Joint Kit FL - Fluorescent Option LENSSTEPF - Frosted Lens Flucan - Fluorescent Canister PVC Sscan - Step Lite Canister Canss - 316 Stainless Steel Canister GU - GU10 Option
		For LED options, refer to page 10.4 (dedicated LED), 10.4.3 (6 watt), 10.4.4 (3 watt) or http://hunza.co.nz/l.html

Ordering Example SLLU COP - Step Lite Louvre in Copper
 SLLUFL SS - Step Lite Louvre in 316 Stainless Steel with fluorescent option

SLLUGU COP - Step Lite Louvre GU10 in Copper

LENSSTEPF - Frosted Lens

(Accessories ordered separately)



HUNZA™ PURE OUTDOOR LIGHTING

HUNZA FACTORY
 130 Felton Mathew Ave
 Glen Innes
 Auckland 1072
 New Zealand

Ph: 64-9-528 9471
 Fax: 64-9-528 9361
hunza@hunza.co.nz
www.hunza.co.nz

INTERNATIONAL CONTACTS:
www.hunza.co.nz/contacts.php

Specifications may change without notice.
 Manufactured in New Zealand.
 © 2011 Hunza Holdings Ltd.

Ver 1.4

Luminaire Construction

CNC machined from one of the following metals:

Copper: 63.5mm (2½") x 10mm (13/32"). End cap - solid copper 63.5mm (2½") rod. Flange 88mm (3½") solid copper rod.

316 Stainless steel: 9mm (11/32"). End cap - solid 316 stainless steel 63.5mm (2½") rod. Flange 88mm (3½") solid 316 stainless steel rod.

Mounting

Designed to fit through a 66mm (2 5/8") hole and be fixed into position by two screws in the flange or a Step Lite canister (see accessories) can be used which maintains the aesthetic look of the flange by eliminating the two screw holes in the flange.

Features

Lens:
3mm (1/8") thick clear tempered shatter resistant glass.

Lifetime Warranty.

Gaskets:
Silicone, iron impregnated 220°C (428°F).

Lamp Holders:
GU5.3 & GU10 - 350°C (662°F) ceramic multi contact lamp holder with 250°C (480°F) teflon cables.

Fluorescent:
E27 PET 210°C (410°F) base mount.
E26 available in the USA.

Accessories:
Cable Joint Kit (Cat. CJK150)
Not approved for USA/Canada.
Frosted Lens (Cat. LENSSTEPF).
Fluorescent Canister, PVC (Cat. Flucan).
Fluorescent Option 8watt 240volt (Cat. FL) IP66.
Step Canister (Cat. Sican).
316 Stainless steel Canister for use in lime stone etc. (Cat. Canss).
GU10 Option (Cat. GU).

Standards

EN60598

IP66/IP68



UL1838

Luminaire Weight

12 volt

Cop 1.100kg (2lb 6oz)
SS 1.055kg (2lb 5oz)

Fluorescent IP66
Cop 2.015kg (4lb 7oz)
SS 1.690kg (3lb 11oz)

Power Supply

HUNZA™ Inground or Wall Mount
Transformer: not included.

USA and Canada:

HUNZA™ Wall Mount Transformer:
not included.

Luminaire: supplied with

Halogen

MR16 GU5.3 20watt lamp max.

Fluorescent

E27 - 110/240 volt self ballasted
lamp.

GU10 - GU10 25 or 35 watt lamp
max.

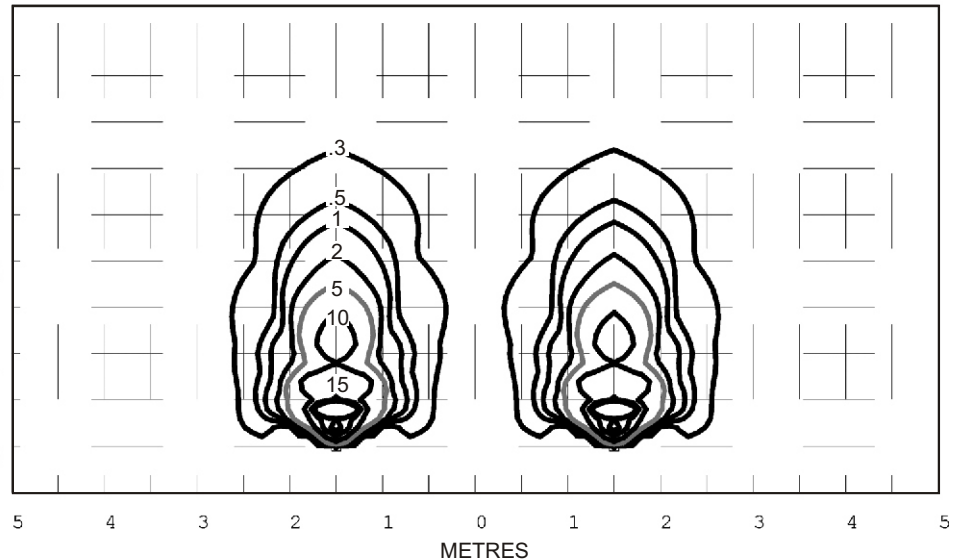
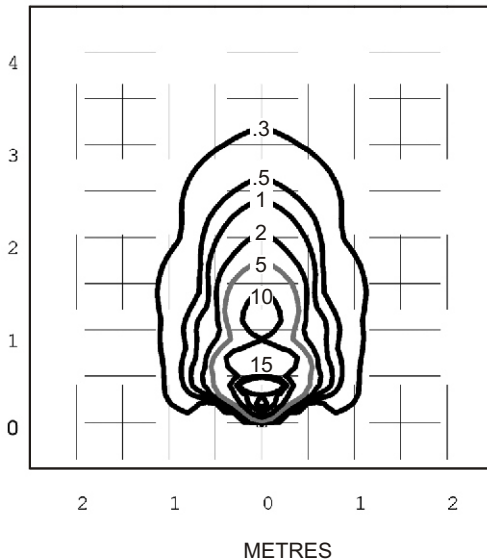
LED - Refer to previous page.

USA and Canada:

MR16 GU5.3 20 watt lamp max.
GU10 Halogen - Lamp not supplied

LED - Refer to previous page.

Step Lite Louvre Lux MR16 BAB 20 watt lamp - Lens height 400mm (15¾")



Isolux Lumens Plot - Footcandles = Isolux figures divided by 10.76

HUNZA™ PURE
OUTDOOR
LIGHTING

HUNZA FACTORY
130 Felton Mathew Ave
Glen Innes
Auckland 1072
New Zealand

Ph: 64-9-528 9471
Fax: 64-9-528 9361
hunza@hunza.co.nz
www.hunza.co.nz

INTERNATIONAL CONTACTS:
www.hunza.co.nz/contacts.php

Specifications may change without notice.
Manufactured in New Zealand.
© 2011 Hunza Holdings Ltd.

Ver 1.4