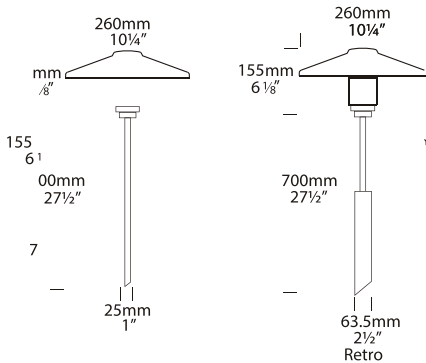


# Tier Lite PURE LED

Cat. No. TL/L



**PURE LED**  
Pure Performance

The Tier Lite PURE LED is designed for illuminating medium level foliage. It is mounted on a 700mm pole to provide a soft pool of light suitable for a wide variety of landscape situations.

The Retro™, which is a mains option, avoids the need to bury a transformer. The 110/240-12v driver is built into the pole and is a double insulated safety isolating transformer. This changes the luminaire to an IP56 rating.

This luminaire is machined from 63.5mm solid aluminium with a UV stable powder coat or solid 316 stainless steel or natural copper. It features a polycarbonate and high temperature silicon gaskets.

The Hunza PURE LED system uses Cree MTG-2 chips for maximum performance and long life. Power supply options include a choice of integral 12 or 110/240 volt (Retro) drivers. There is also an external remote (series connection) driver option. The PURE LED system incorporates Hunza's Plug-and-Play system for easy replacement of the LED engine. A choice of a Warm or Cool White colour temperatures is available.

\*At 700mA this fitting is the equivalent of a 35w halogen fitting.  
\*At 1050mA this fitting is the equivalent of a 50w halogen fitting.

## Ordering Information

Luminaire	Driver mA	Colour Temp	Accessories	Material/Finish
TL/L	S - Series D3 - 12v/350mA D7 - 12v/700mA D10 - 12v/1050mA R- 110 or 240V retro driver	2 - 2700K 3 - 3000K 4 - 4000K 39 - 3000K (90+ CRI)	CJK - Cable Joint Kit SS/G - Super Spike (not for Retro™) FM - Flange Mount	BK - Black BZ - Bronze GN - Green STAR - Silver Star WH - White WB - Birch DG - Dark Grey OG - Olive Green RG - Beige PR - Primrose Cop - Copper SS - Stainless Steel

Ordering Example: TL/L S 3 SS/G BK

**HUNZA**™ PURE OUTDOOR LIGHTING

HUNZA FACTORY  
130 Felton Mathew Ave  
Saint Johns  
Auckland 1072  
New Zealand

Ph: 64-9-528 9471  
Fax: 64-9-528 9361  
hunza@hunza.co.nz  
www.hunza.co.nz

INTERNATIONAL CONTACTS:  
www.hunza.co.nz/contacts.php

Specifications may change without notice.  
Manufactured in New Zealand.  
© 2014 Hunza Holdings Ltd.

## Luminaire Construction

**CNC machined from one of the following metals:**

### Aluminium

Body - 63.5mm (2½") x 10mm (25/64") aluminium. Pole - High corrosion resistant 25.4mm (1") x 1.42mm (1/16") aluminium.

Endcap - solid 63.5mm (2½") aluminium rod, with chromate substrate and high UV resistant polyester powder coat colours Black, Bronze, Green, Silver Star, White, Birch, Dark Grey, Olive Green, Beige, Primrose.

### Copper

Body - 63.5mm (2½") x 10mm (25/64") copper. Pole - 25.4mm (1") x 1.42mm (1/16") copper. Endcap - solid 63.5mm (2½") copper rod.

### Stainless Steel

Body - 63.5mm (2½") x 10mm (25/64") 316 SS. Pole - 25.4mm (1") x 1.42mm (1/16") 316 SS. Endcap - solid 63.5mm (2½") 316 stainless steel rod.

### Retro™

Pole - 25.4mm (1") x 410mm (16") tube.

Transformer Pole - 63.5mm (2½") x 10mm (25/64") tube.

### Luminaire Weight

*12 volt* Alum 0.915kg (2lb)  
Cop 1.590kg (5lb 11oz)  
SS 1.450kg (3lb 3oz)

*Retro™* Alum 2.000kg (4lb 6oz)  
Cop 3.000kg (6lb 9oz)  
SS 2.900kg (6lb 6oz)

## Luminaire Features

### Lens:

UV stable polycarbonate.

### Anti-glare Hood:

260mm (10¼") x 1.2mm (1/16") handspun aluminium, cooper or 316 stainless steel.  
No upward light or glare projected.

### Gasket:

Silicone, iron impregnated 220°C (428°F)

### Accessories:

Cable Joint Kit (Cat. CJK150)  
Not approved for USA/Canada.  
Super Spike (Cat. SS/G)  
Not for Retro™ option.  
Flange Mount (Cat.FM25.4)

### Mounting

The 700mm (27½") is directly mounted into the earth. For extra stability in sand or loose ground use Hunza Super Spike.  
Retro™ to be set in concrete.  
Flange Mount option for hard surfaces.

## Technical Information

### Standards

IP56/IP66/IP67 UL 1838

### LED

Cree MTG-2 Plug and Play, field replaceable LED board.

**Lumen Output:** 510 lm at 1050mA

**Lumens Per watt:** 85 minimum

**Colour Temp:** 2,700, 3,000 or 4,000K

**High CRI Option (3000K):** 90+  
(lumen output decreases by 15%)

### Power Supply

**Series (External) Driver** Constant current driver

Output: 6vdc at 1050mA maximum

### Integral 12 Volt Driver

Hunza™ Plug and Play Driver

Input: 12vac, 7 watt total

Output: 6vdc nominal, 350 / 700 / 1050mA (1050mA limited ≤ 40°

Ambient temperature in Stainless Steel)

### Transformer

Hunza™ Wall Mount Transformer for use with integral 12 volt driver

### Retro 110/240 Volt Driver

Hunza™ Retro Driver

Input: 120/240vac, 5 watt total

Output: 6vdc, 700mA

0-10 volt dimming

(USA - non dimming)