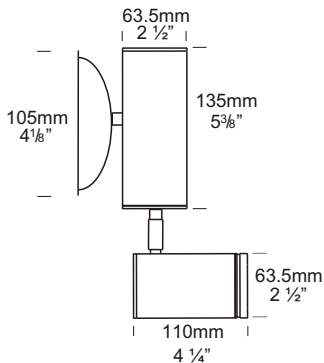
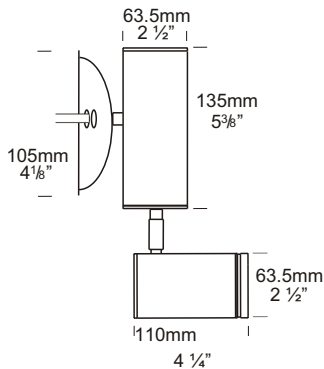


# Tree Mount Metal Halide

Cat. No. TMMH20  
 Cat. No. TMMH35  
 Cat. No. TMMHRS20  
 Cat. No. TMMHRS35



Tree Mount Metal Halide



Tree Mount Metal Halide Rubber Strap



Tree Mount Metal Halide Rubber Strap



The Tree Mount Metal Halide can be mounted onto a tree to create moon lighting effects. A cable connection can be made at the rear of the dome. This luminaire consists of a mounting dome and three 316 stainless steel bolts. The bolts initially fix the dome 40mm (1 1/2") out from the tree's surface, which allows the tree to grow without causing any harm.

An alternative mounting option is the Tree Mount Kit Rubber Strap. The kit consists of a mounting dome and a one metre adjustable rubber strap, which expands as the tree grows.

The Tree Mount Metal Halide uses a Metal Halide lamp which is a highly energy efficient light source, using less energy and out putting 2 - 3 times the light of a halogen lamp. This luminaire uses a MR16 GX10 20 or 35 watt lamp.

## Ordering Information

### Luminaire Type

- TMMH20 - Tree Mount Metal Halide 20watt
- TMMH35 - Tree Mount Metal Halide 35watt
- TMMHRS20 - Tree Mount Rubber Strap 20watt
- TMMHRS35 - Tree Mount Rubber Strap 35watt

### Material

- BK - Black
- BZ - Bronze
- GN - Green
- WH - White
- COP - Copper
- SS - 316 Stainless Steel

### Accessories

- CJK150 - Cable Joint Kit
- LENSSTEPF - Frosted Lens

TMMH20 GN - Tree Mount Metal Halide 20 watt in Green

TMMHRS35 BK - Tree Mount Metal Halide Rubber Strap in Black

CJK150 - Cable Joint Kit

(Accessories ordered separately)

**HUNZA**™ PURE OUTDOOR LIGHTING

**HUNZA FACTORY**  
 130 Felton Mathew Ave  
 Glen Innes  
 Auckland 1072  
 New Zealand

Ph: 64-9-528 9471  
 Fax: 64-9-528 9361  
 hunza@hunza.co.nz  
 www.hunza.co.nz

**INTERNATIONAL CONTACTS:**  
[www.hunza.co.nz/contacts.php](http://www.hunza.co.nz/contacts.php)

Specifications may change without notice.  
 Manufactured in New Zealand.

© 2009 Hunza Holdings Ltd.

Ver 1.4

## Luminaire Construction

CNC machined from one of the following metals:

High corrosion resistant 63.5mm (2 1/2") x 10mm (25/64") aluminium.  
End cap - solid aluminium 63.5mm (2 1/2") rod, with chromate substrate and high UV resistant polyester powder coat

**Colours** Black, Bronze, Green, White

**Copper** 63.5mm (2 1/2") x 10mm (13/32"). End cap - solid copper 63.5mm (2 1/2") rod.

**316 Stainless Steel** 63.5mm x 9mm (1 1/32"). End cap - solid 316 stainless steel 63.5mm (2 1/2") rod.

**Mounting Dome** Produced from glass-filled polypropylene.

## Mounting

The Tree Mount dome is secured to the tree with 3 x 95mm (3 3/4") 316 stainless steel bolts. The Tree Mount Rubber strap version is secured to the tree with a one metre adjustable rubber strap.

## Features

**Lens:**

10mm (3/8") flush clear tempered shatter resistant glass.

**Life Time Warranty**

**Gasket:**

Silicone, iron impregnated 220°C (428°F)

**Lamp Holder:**

GX10 - 350°C (662°F) ceramic multi contact lamp holder with 250°C (480°F) teflon cables.

**Accessories:**

Cable Joint Kit (Cat. CJK150).

Frosted Lens (Cat. LENSSTEPF).

**Swivel:**

Aluminium and Copper luminaires 360° rotation and 0 - 90° elevation, solid brass with anti rust spring.

Stainless Steel luminaires - 360° rotation and 0 - 90° Elevation, full stainless steel construction.

## Standards

AS/NZS 60598.2.2 IP66



UL 1598

## Luminaire Weight

Alum 1.10kg (2lb 6oz)

Cop 3.00kg (6lb 8oz)

SS 2.34kg (5lb 3oz)

## Power Supply

Ballast built in: 230 - 240 volt ac 50Hz.

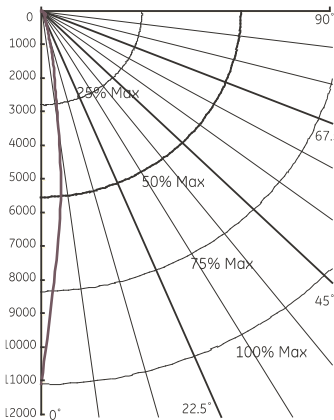
USA and Canada:

Ballast built in: 120 volt ac 60Hz.

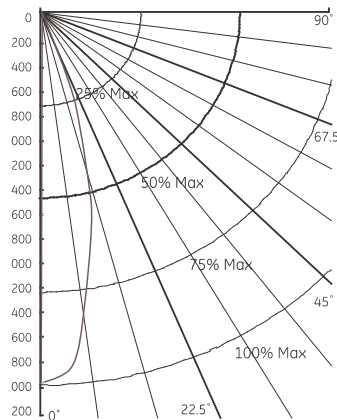
Luminaire: supplied with

MR16 GX10 20 or 35 watt lamp.

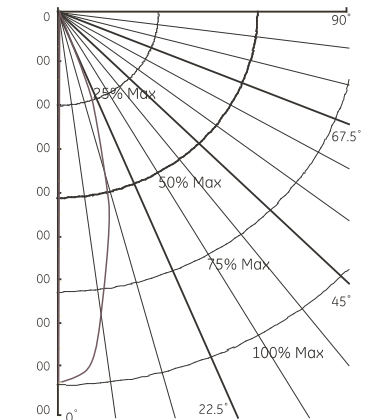
CMH20W MR16 SP Candela Power Distribution



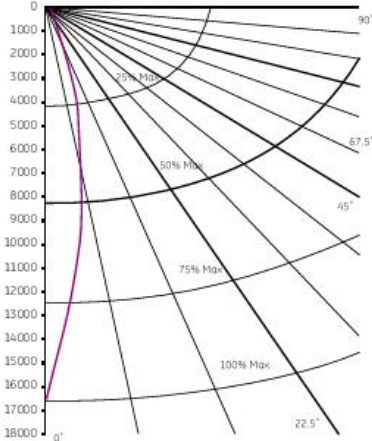
CMH20W MR16 FL Candela Power Distribution



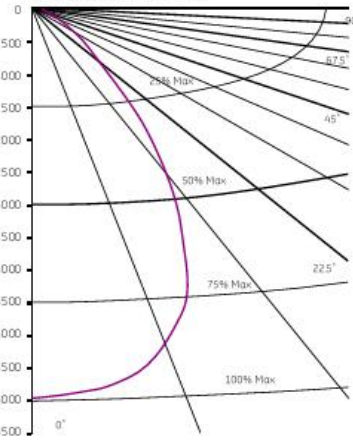
CMH20W MR16 WFL Candela Power Distribution



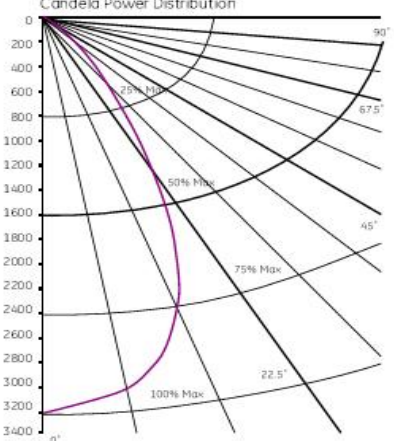
CMH 35 W/MR16/930/SP Candela Power Distribution



CMH 35 W/MR16/930/FL Candela Power Distribution



CMH 35 W/MR16/930/WFL Candela Power Distribution



**HUNZA**™ PURE OUTDOOR LIGHTING

**HUNZA FACTORY**  
130 Felton Mathew Ave  
Glen Innes  
Auckland 1072  
New Zealand

Ph: 64-9-528 9471  
Fax: 64-9-528 9361  
hunza@hunza.co.nz  
www.hunza.co.nz

**INTERNATIONAL CONTACTS:**  
www.hunza.co.nz/contacts.php

Specifications may change without notice.  
Manufactured in New Zealand.

© 2009 Hunza Holdings Ltd.

Ver 1.4