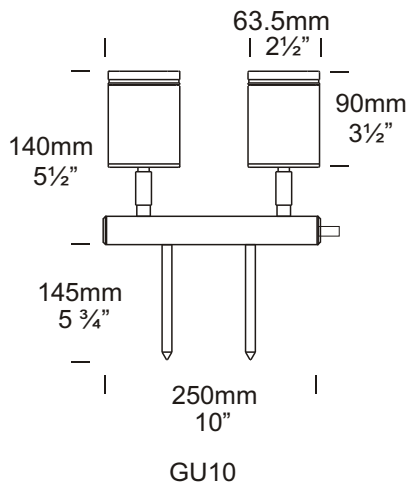
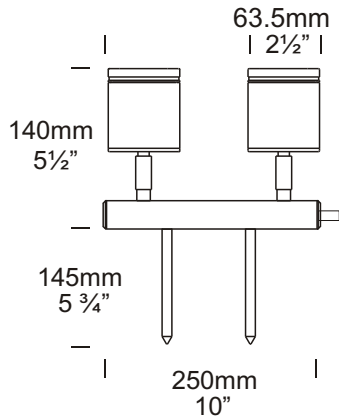


# Twin Bar Lite

Cat. No. TBL

Cat. No. TBLGU



The Twin Bar Lite is ideal for wall or sign illumination using 2 x 20 watt lamps with an IG40 transformer. The luminaire has two individual spot lites which can be aimed in two entirely different directions. Each lite has a fully adjustable arm allowing 360 degree rotation and 0 - 90 degree elevation adjustment. The heads are mounted on a 250mm (10") bar with twin ground spikes.

This luminaire is machined from a choice of 10mm solid aluminium with a UV stable powder coated finish, solid copper or 316 stainless steel with a clear, tempered, flush glass lens and high temperature silicon gaskets.

A GU10 version of this luminaire is also available for line voltage lamps. However, longer luminaire bodies are needed to accommodate the longer lamps.

## Ordering Information

Luminaire Type	Material/Finish	Accessories
TBL - Twin Bar Lite	BK - Black BZ - Bronze GN - Green STAR - Silver Star WH - White WB - Birch DG - Dark Grey OG - Olive Green RG - Beige PR - Primrose COP - Copper SS - 316 Stainless Steel	CJK150 - Cable Joint Kit LENSSTEPF - Frosted Lens GG - Glare Guard HCL - Hex Cell Louvre Adaptor /300 - 300 (12") Spike GU - GU10 Option  For <b>LED</b> options, refer to page 10.4 (dedicated LED), 10.4.3 (6 watt), 10.4.4 (3 watt) or <a href="http://hunza.co.nz/l.html">http://hunza.co.nz/l.html</a>



Ordering Example: TBL COP - Twin Bar Lite in Copper  
 TBL/300 BZ - Twin Bar Lite in Bronze with 300mm (12") Spike  
 TBLGU COP - Twin Bar Lite GU10 in Copper  
 HCL BK - Hex Cell Louvre Adaptor in Black (Accessories ordered separately)

**HUNZA**™ PURE OUTDOOR LIGHTING

**HUNZA FACTORY**  
 130 Felton Mathew Ave  
 Glen Innes  
 Auckland 1072  
 New Zealand

Ph: 64-9-528 9471  
 Fax: 64-9-528 9361  
[hunza@hunza.co.nz](mailto:hunza@hunza.co.nz)  
[www.hunza.co.nz](http://www.hunza.co.nz)

**INTERNATIONAL CONTACTS:**  
[www.hunza.co.nz/contacts.php](http://www.hunza.co.nz/contacts.php)

Specifications may change without notice.  
 Manufactured in New Zealand.  
 © 2011 Hunza Holdings Ltd.

Ver 1.4

## Luminaire Construction

CNC machined from one of the following metals:

High corrosion resistant 63.5mm (2½") x 10mm (25/64") aluminium. End cap - solid aluminium 63.5mm (2½") rod, with chromate substrate and high UV resistant polyester powder coat

Colours Black, Bronze, Green, Silver Star, White, Birch, Dark Green, Olive Green, Beige, Primrose.

**Copper** 63.5mm (2½") x 10mm (13/32"). End cap - solid copper 63.5mm (2½") rod.

**316 Stainless Steel** 9mm (11/32"). End cap - solid 316 stainless steel 63.5mm (2½") rod.

## Mounting

Spike 150mm (6") 300mm (12") mounted directly into the ground.

## Features

### Lens:

10mm (3/8") clear 'flush fit' shatter resistant glass. Lifetime Warranty.

### Gaskets:

Silicone, iron impregnated 220°C (428°F).

### Lamp Holders:

GU5.3 & GU10 - 350°C (662°F) ceramic multi contact lamp holder with 250°C (480°F) teflon cables.

### Accessories:

Cable Joint Kit (Cat. CJK150). Not approved for USA/Canada. Frosted Lens (Cat. LENSSTEPF). Glare Guard (Cat. GG). Hex Cell Louvre Adaptor (Cat. HCL). Ground Spike 300mm (12") (Cat. /300). GU10 Option (Cat. GU).

### Swivels:

Aluminium and Copper luminaires 360° rotation and 0 - 90° elevation, solid brass with anti rust spring.

Stainless Steel luminaires - 360° rotation and 0 - 90° elevation, full stainless steel construction.

## Standards

IP66



UL1838

**Luminaire Weight**  
Alum 1.060 kg (2lb 5oz)  
Cop 2.840 kg (6lb 4oz)  
SS 2.420kg (5lb 5oz)

## Power Supply

HUNZA™ Inground or Wall Mount Transformer: not included.

USA and Canada:

HUNZA™ Wall Mount Transformer: not included.

**Luminaire: supplied with**  
MR16 GU5.3 - 2 x 20 or 35 watt lamp max.  
GU10 - GU10 25 or 35 watt lamp max.

**LED** - Refer to previous page.

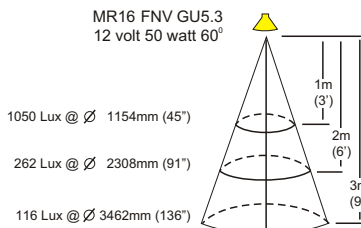
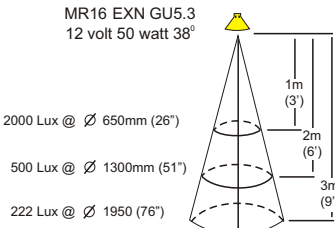
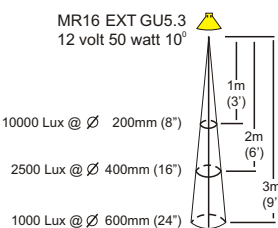
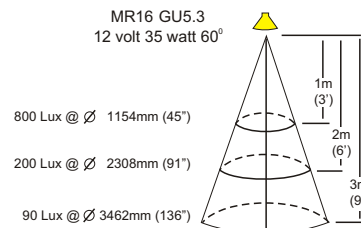
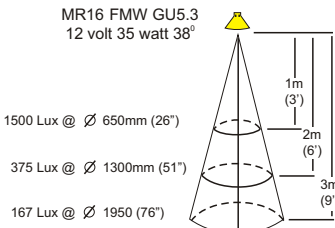
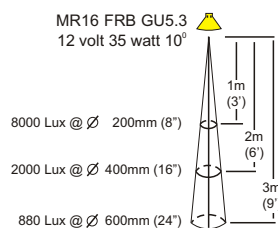
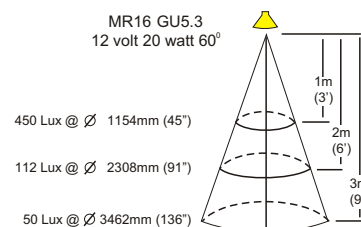
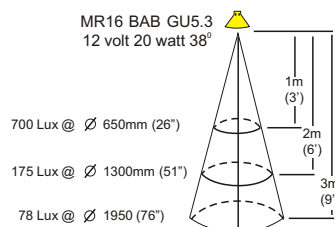
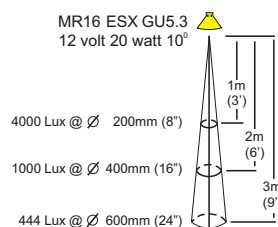
USA and Canada:

MR16 GU5.3 - 2 x 20 watt lamps.

With a glare guard fitted, lamp wattage can be increased to 35 watts.

GU10 Halogen - Lamp not supplied

**LED** - Refer to previous page.



**HUNZA™** PURE OUTDOOR LIGHTING

**HUNZA FACTORY**  
130 Felton Mathew Ave  
Glen Innes  
Auckland 1072  
New Zealand

Ph: 64-9-528 9471  
Fax: 64-9-528 9361  
hunza@hunza.co.nz  
www.hunza.co.nz

**INTERNATIONAL CONTACTS:**  
www.hunza.co.nz/contacts.php

Specifications may change without notice.  
Manufactured in New Zealand.  
© 2011 Hunza Holdings Ltd.